

MODEL 2641 VIRGO

Carcass Spruce, chipboard and multilayer panels

Springing Polypropylene and natural elastic belts on back and rings on seats

Padding Stress-resistant polyurethane foam available in different densities

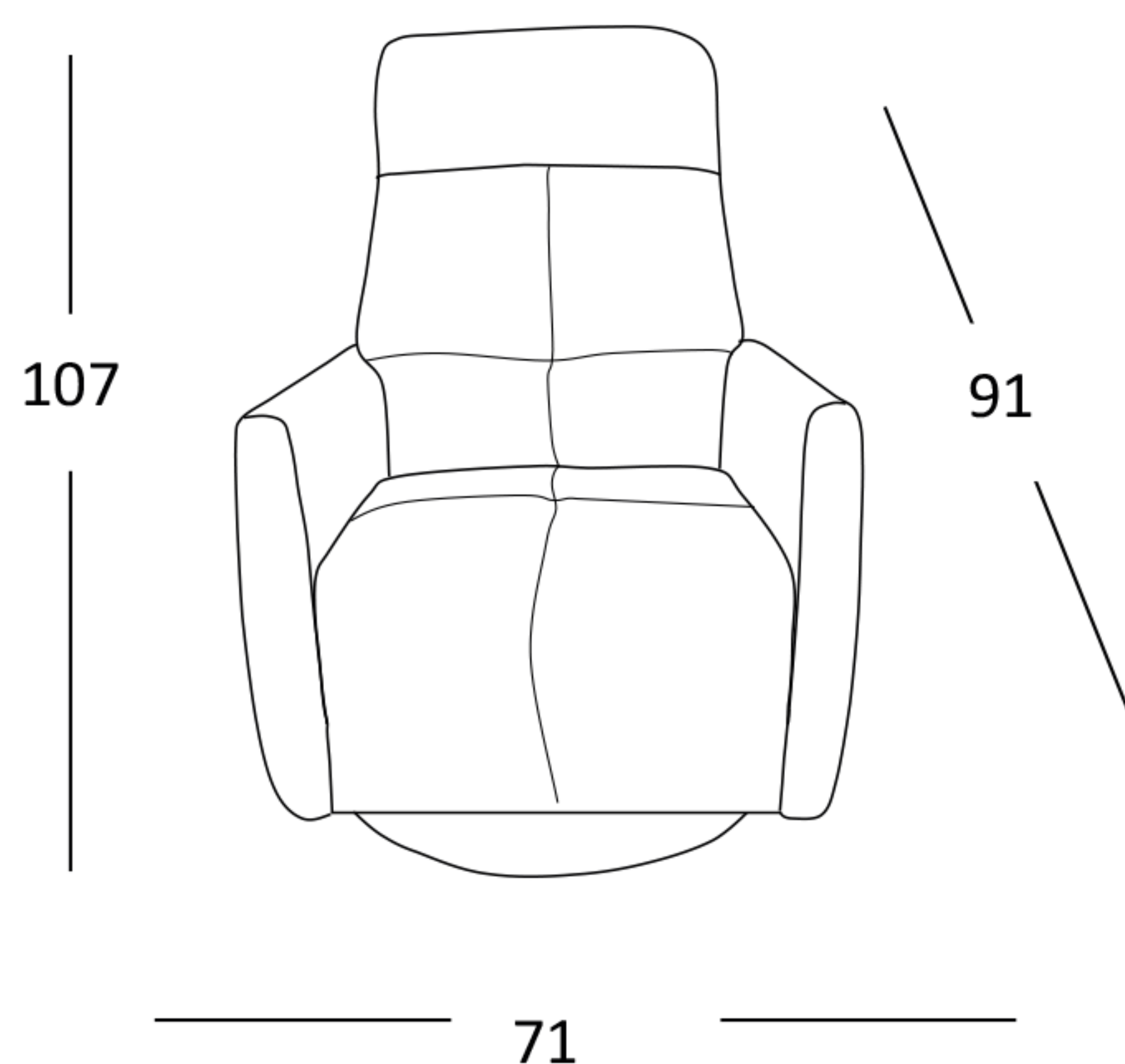
Seat cushions Stress-resistant polyurethane VITA foam (density 3535) covered with Dacron hollow soft polyester fibre

Back cushions Stress-resistant polyurethane VITA foam (density 2520) covered with Dacron hollow soft polyester fibre

Arms Stress-resistant polyurethane VITA foam (density 3535) covered with Dacron hollow soft polyester fibre

Swivel base

Code 36 Recliner chair



Depth + Seat Height

