

MODEL 5020 KILLYAN

CARCASS: spruce, chipboard and multilayers panels

SUSPENSIONS: polypropylene and natural elastic belts on back and rings on seats

PADDING: stress-resistant polyurethane foam available in different densities

SEAT CUSHIONS: stress-resistant polyurethane VITA foam (density 3032) covered with Dacron hollow soft polyester fibre

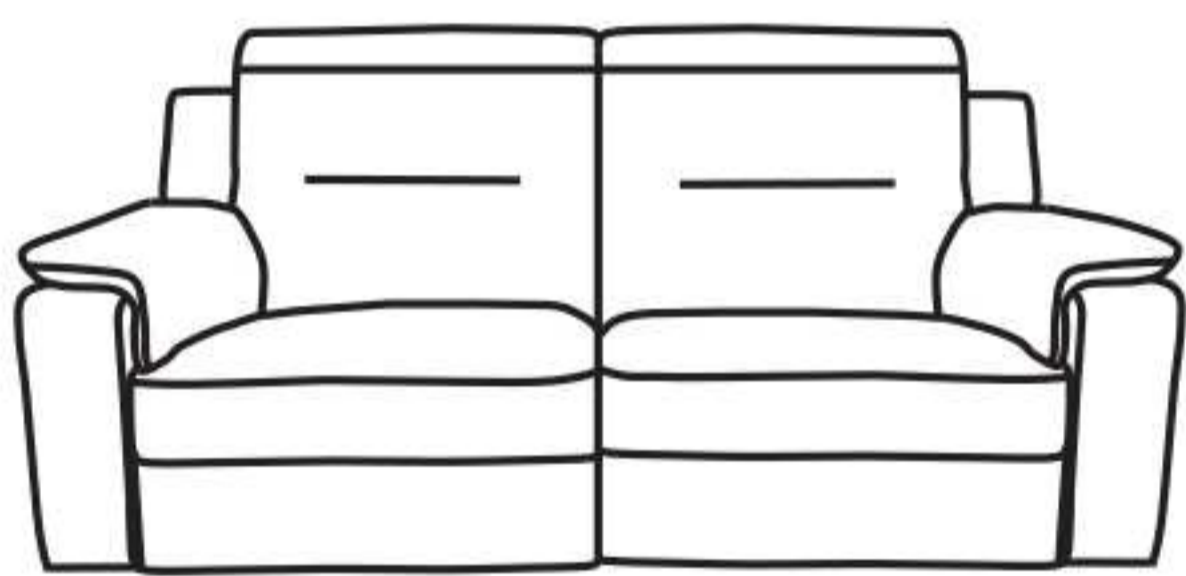
REAR CUSHIONS: Fiber

ARMS: stress-resistant polyurethane VITA foam (density 3032) covered with Dacron hollow soft polyester fibre

WOODEN FEET: h. 15 cm

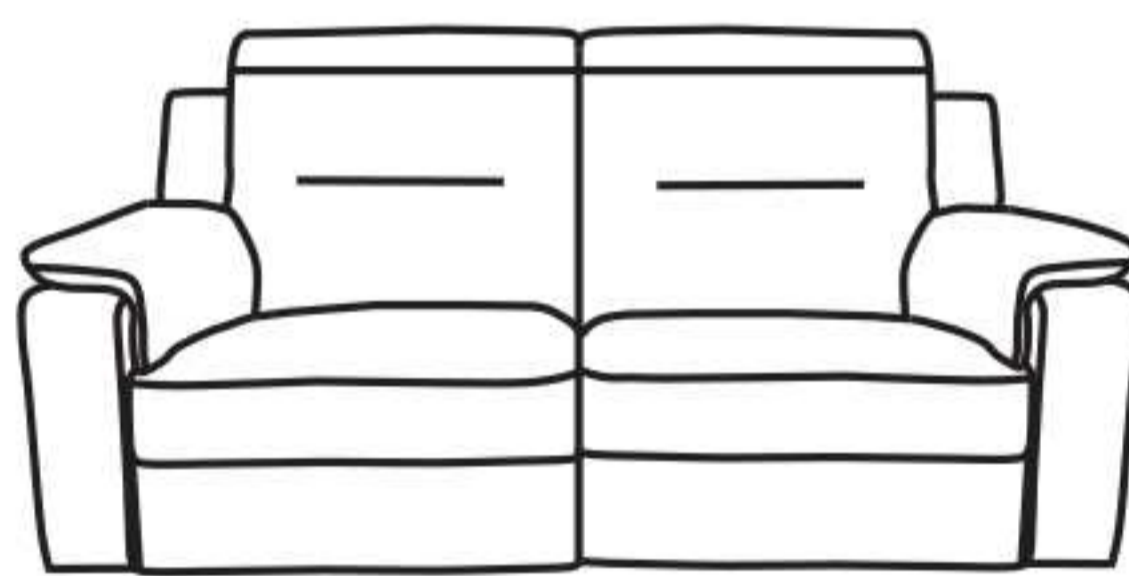
MECCANISM: Only electric recliner

Code 64 Large Sofa



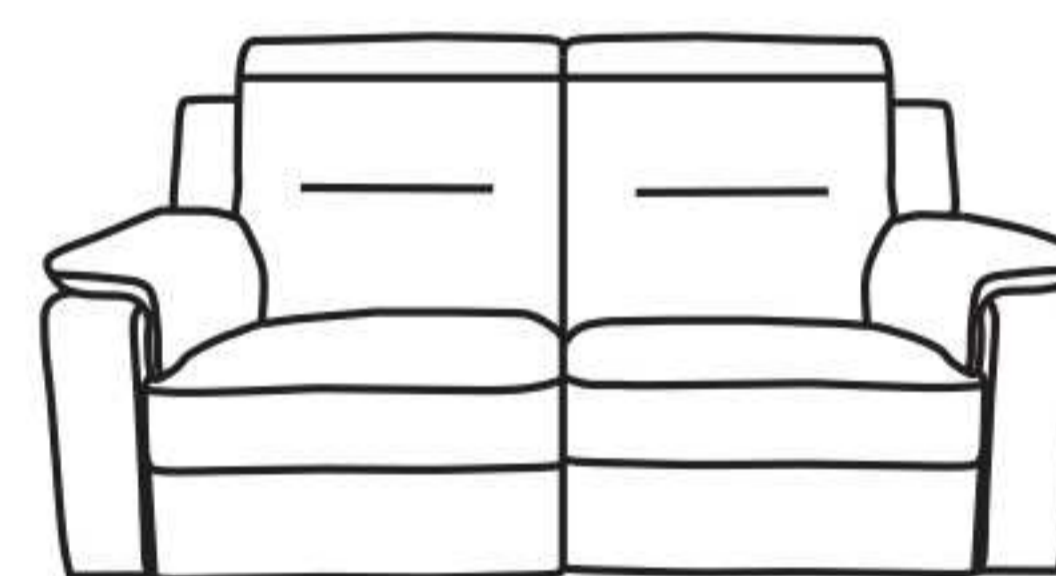
210

Code 09 Sofa



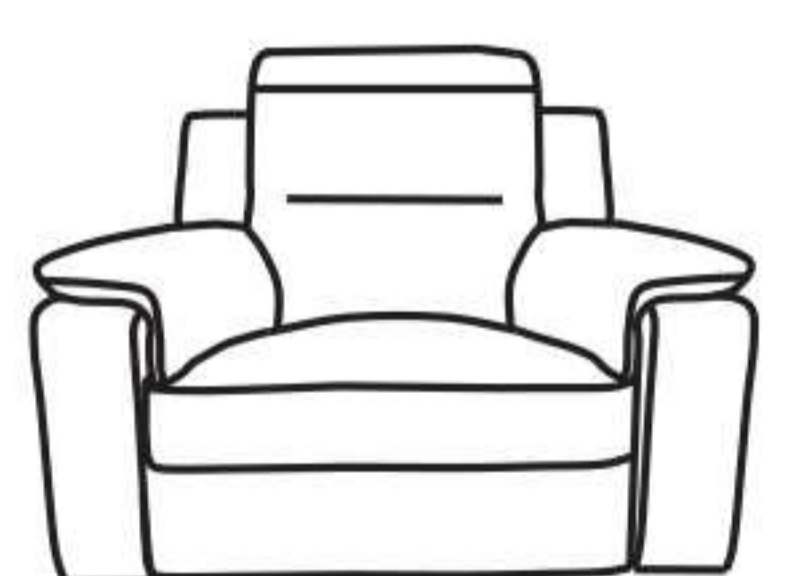
190

Code 05 Loveseat



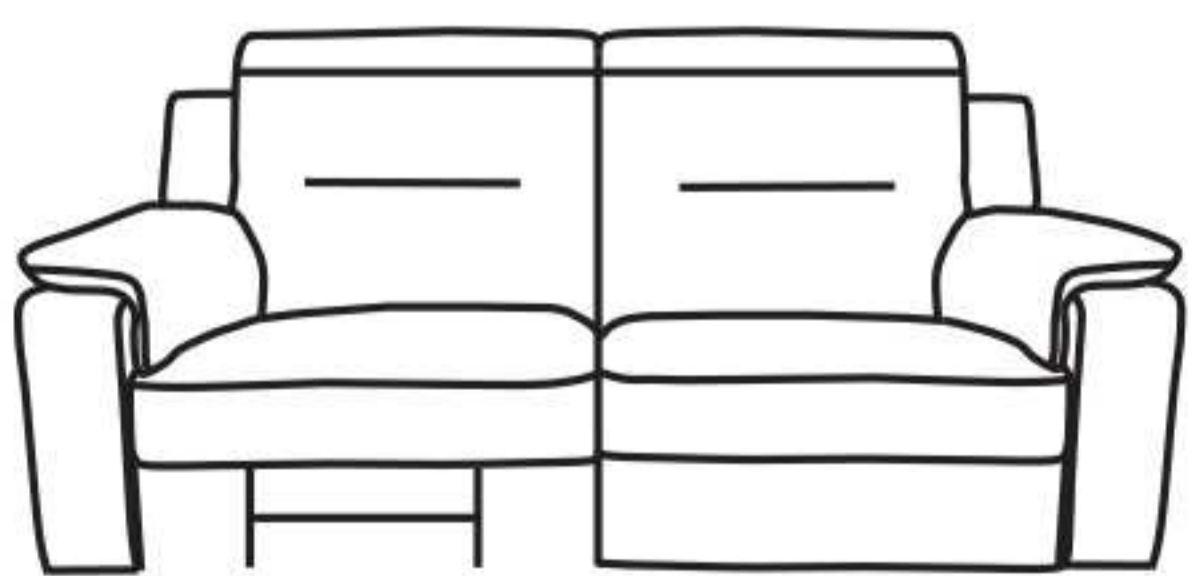
170

Code 03 Armchair



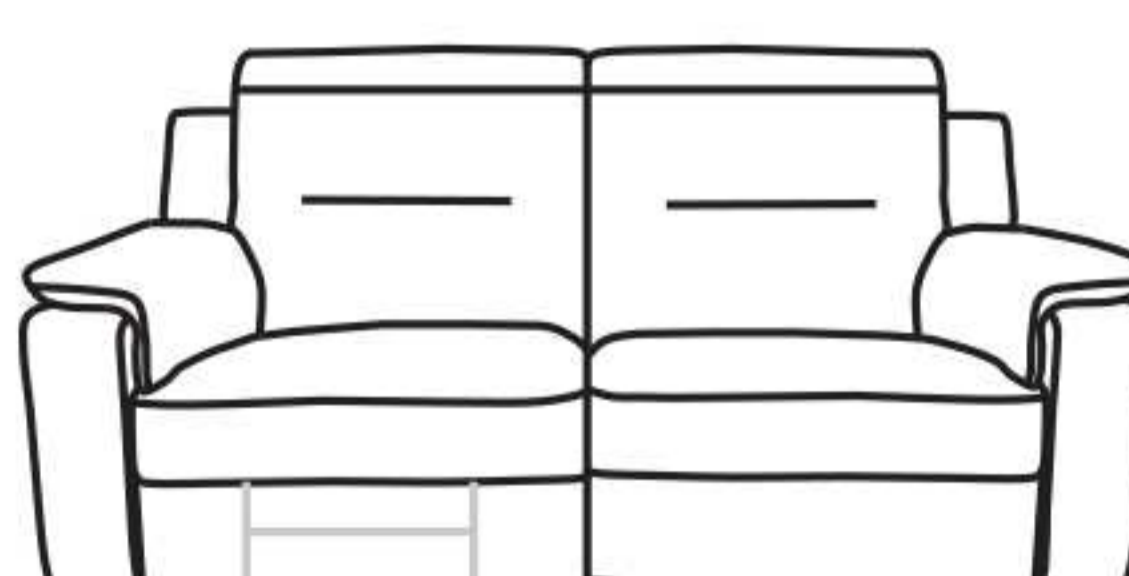
102

Code 40sx/41dx Large sofa 1 recliner lhf/rhf



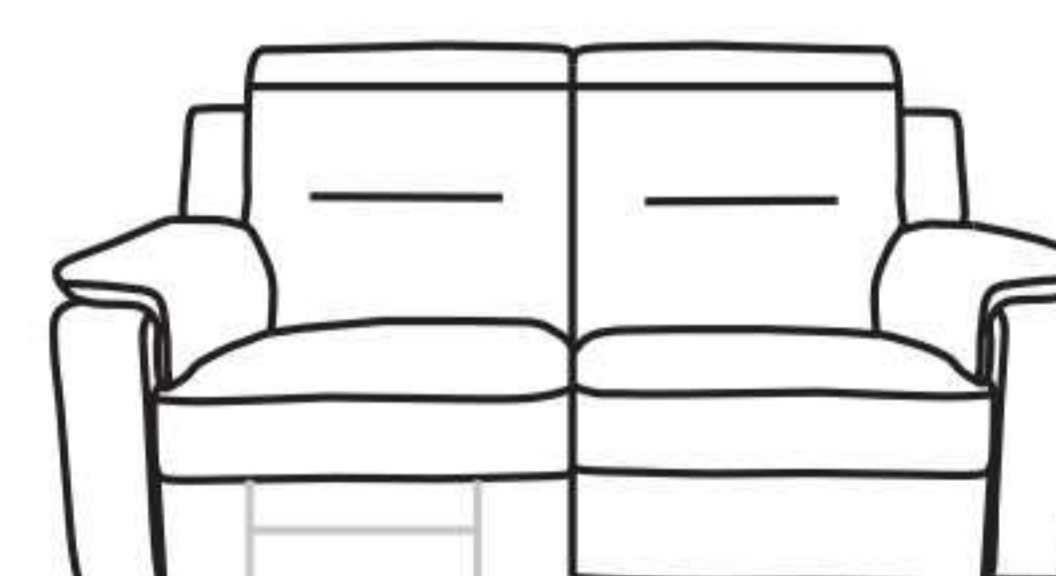
210

Code 88sx/89dx Sofa 1 recliner lhf/rhf



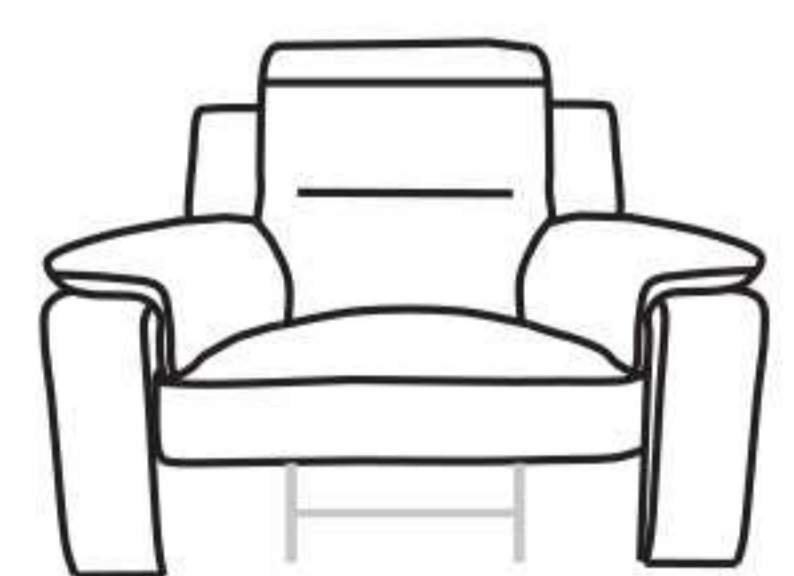
190

Code 38sx/39dx Loveseat 1 recliner lhf/rhf



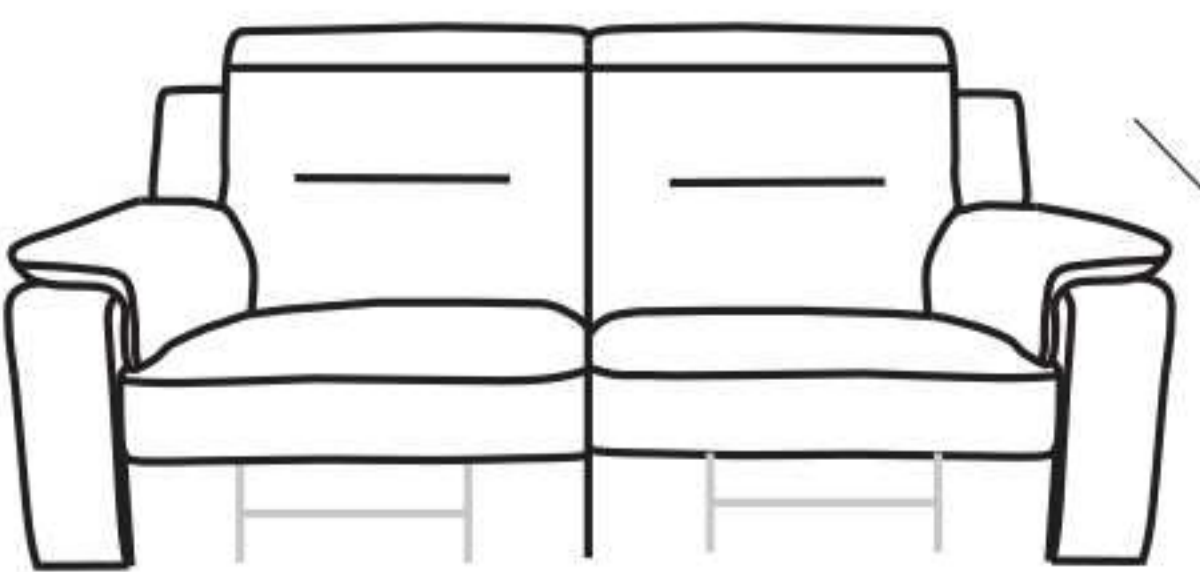
170

Code 36 Recliner chair



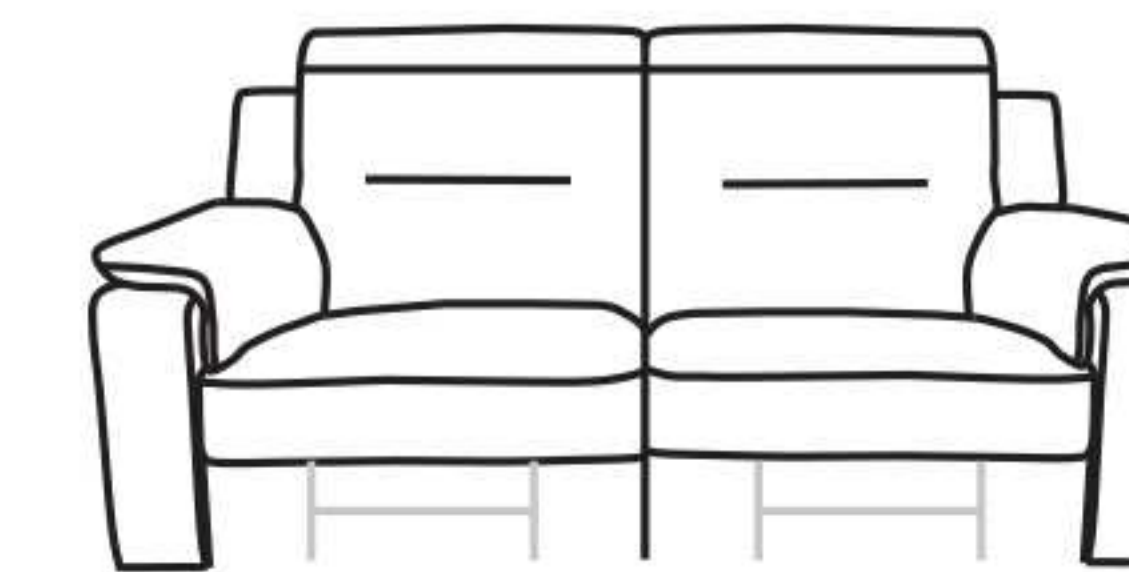
102

Code 37 Large sofa w/2 recliners



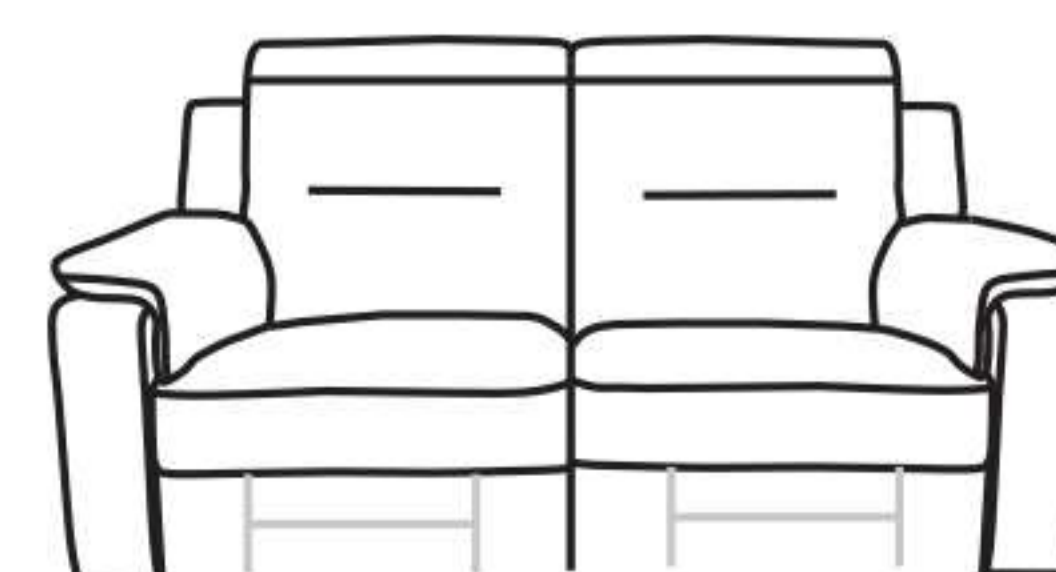
210

Code 90 Sofa w/2 recliners



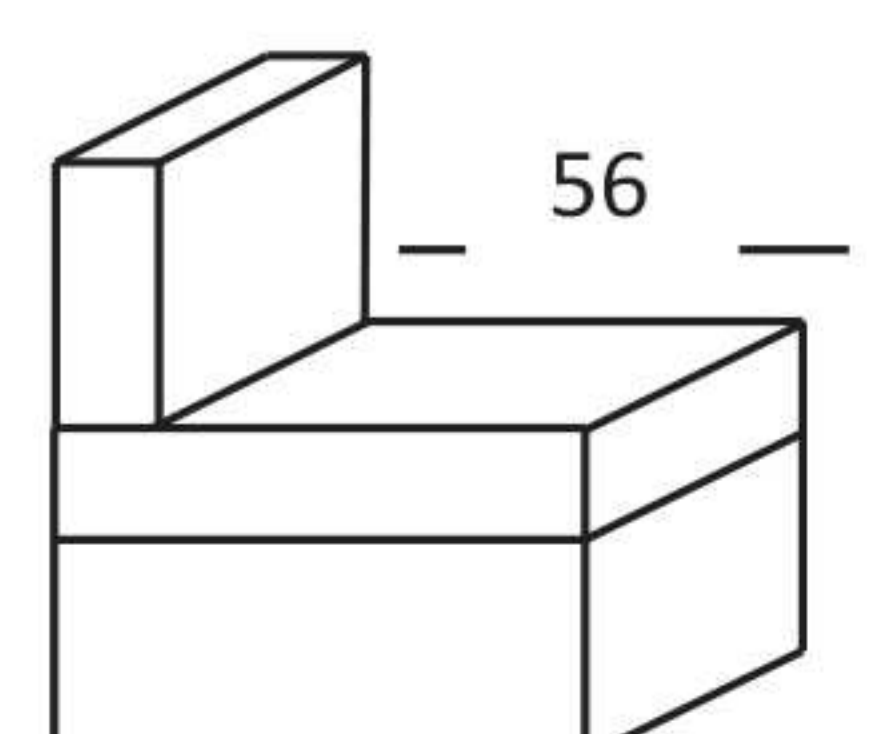
190

Code 42 Loveseat w/2 recliners



170

Depth + Seat Height



56

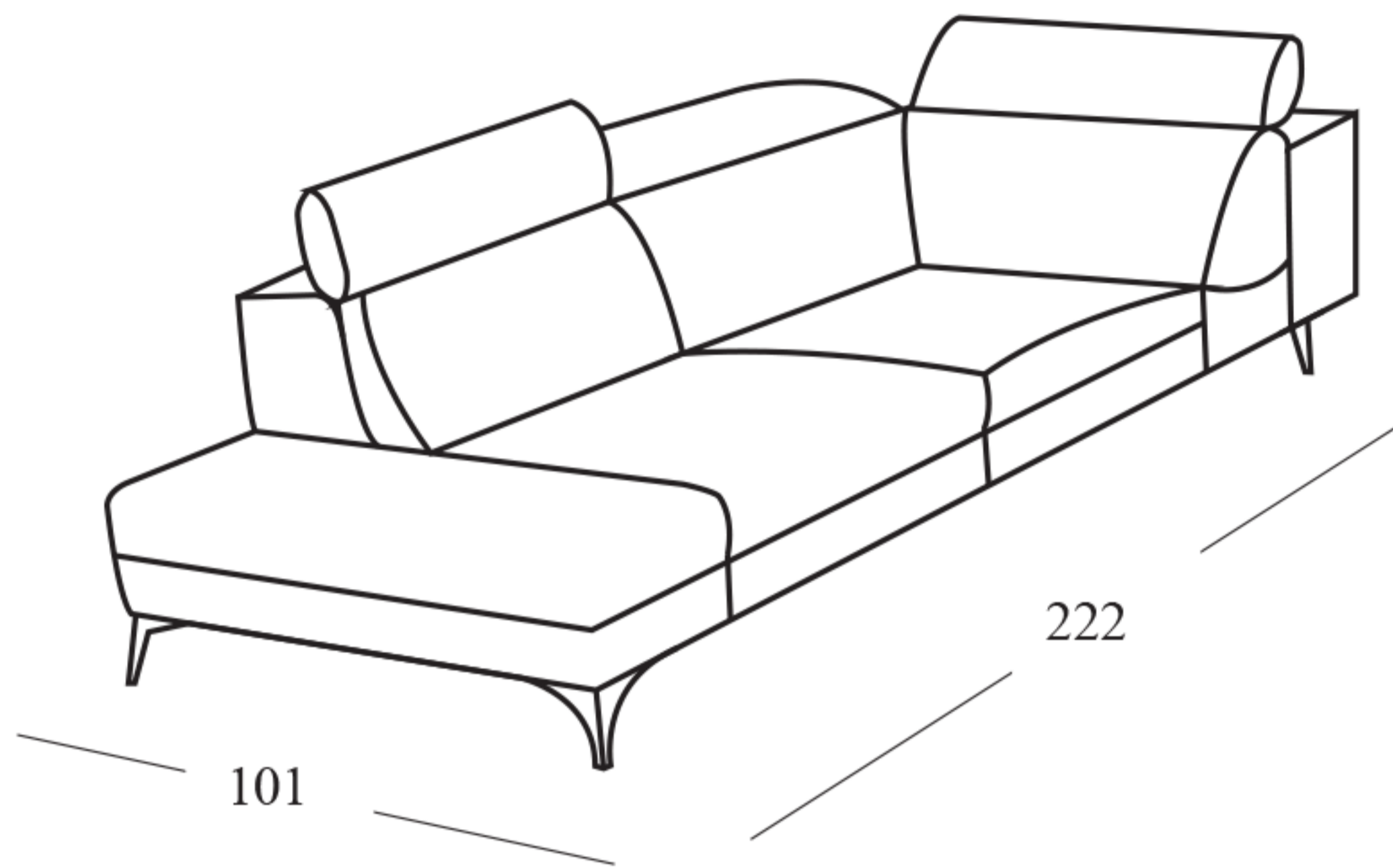
47

88/102

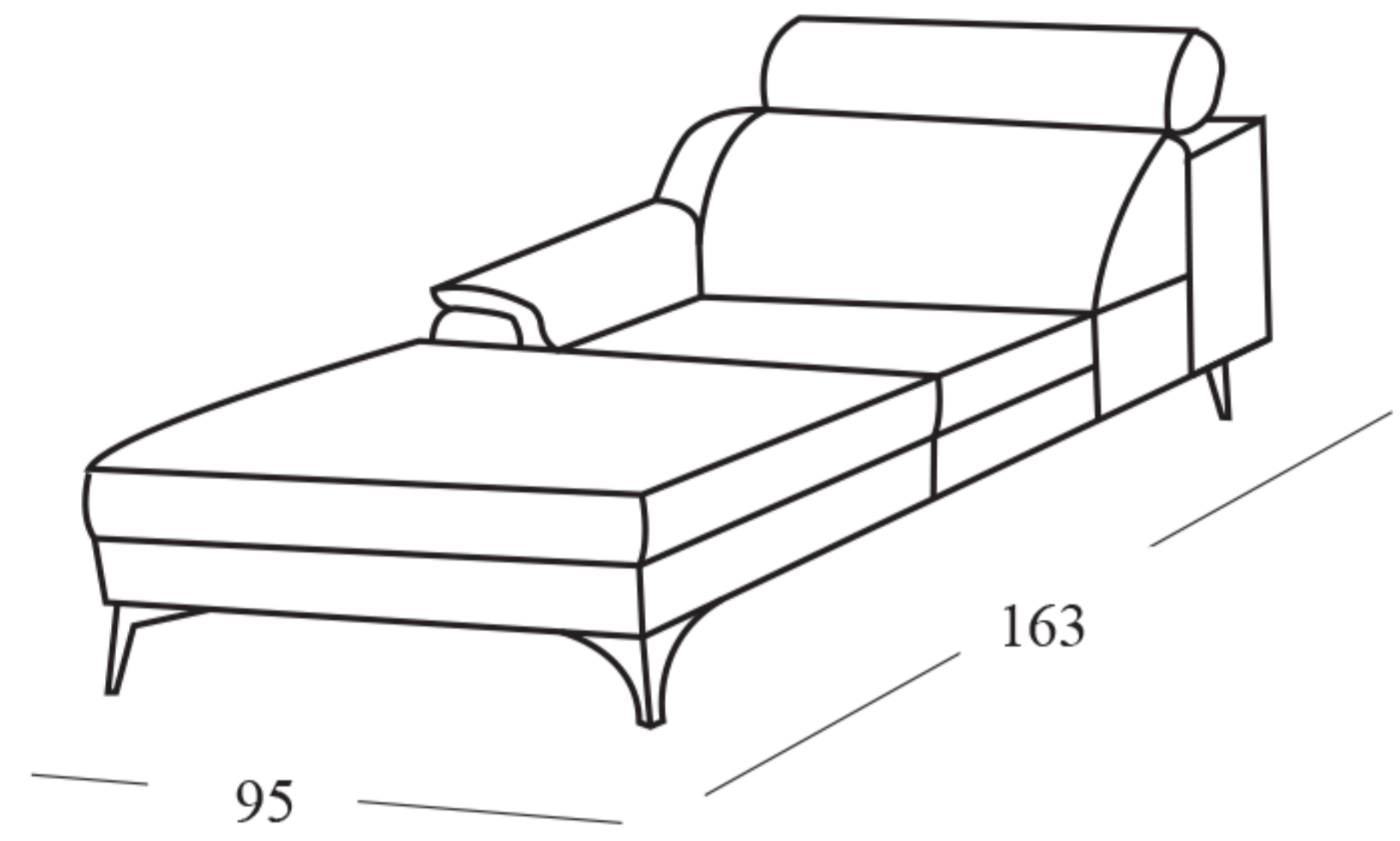
103

MODEL 5020 KILLYAN

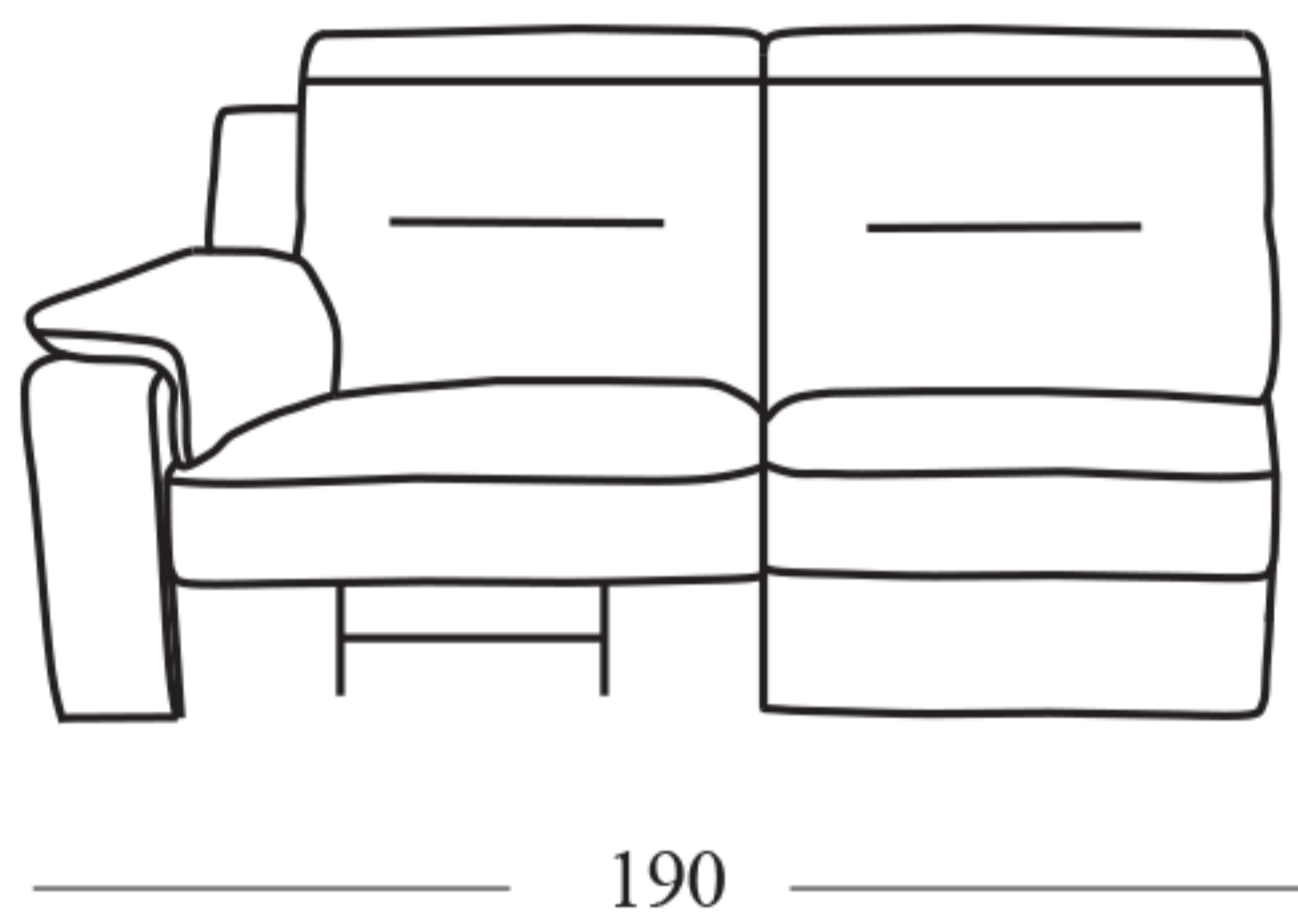
Code 58sx/59dx Corner w /
terminal chair lhf/rhf



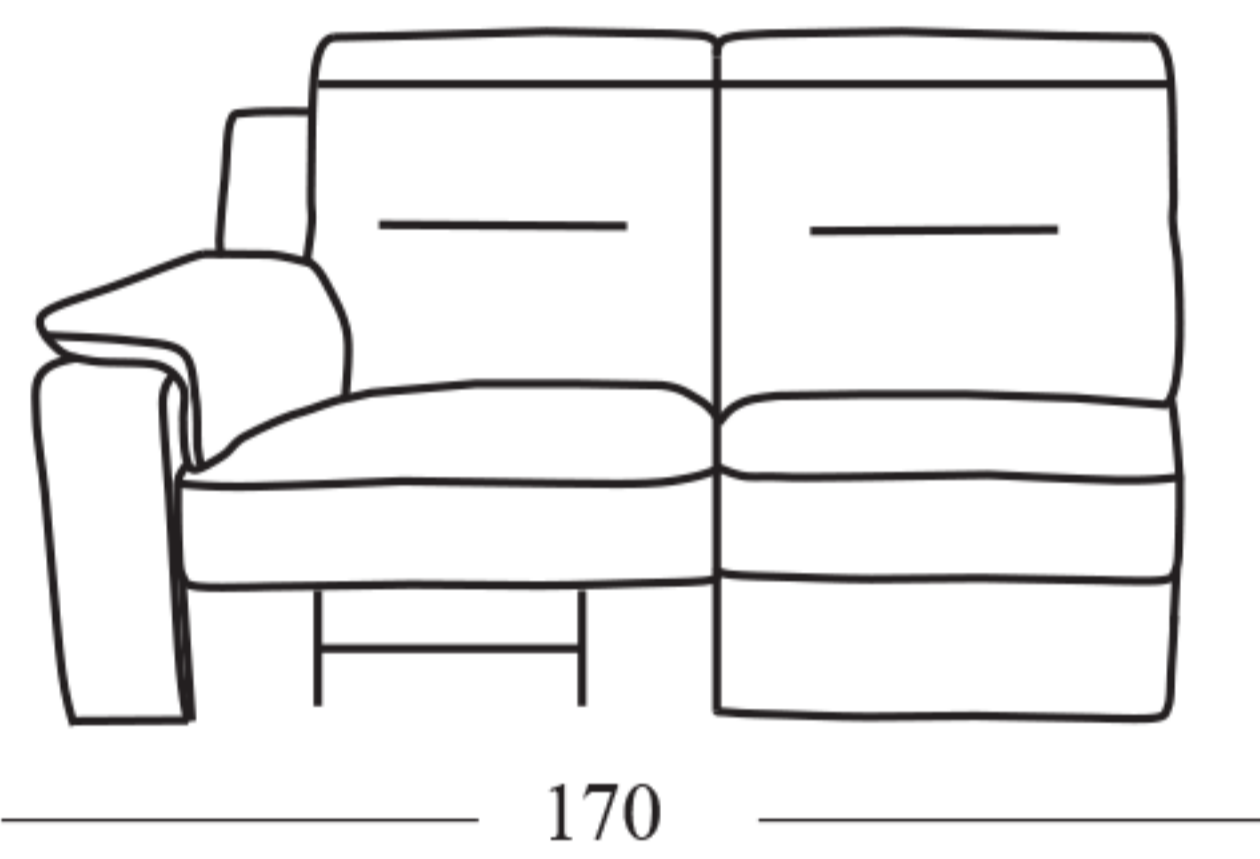
Code 48sx/49dx Chaise
Longue lhf/rhf



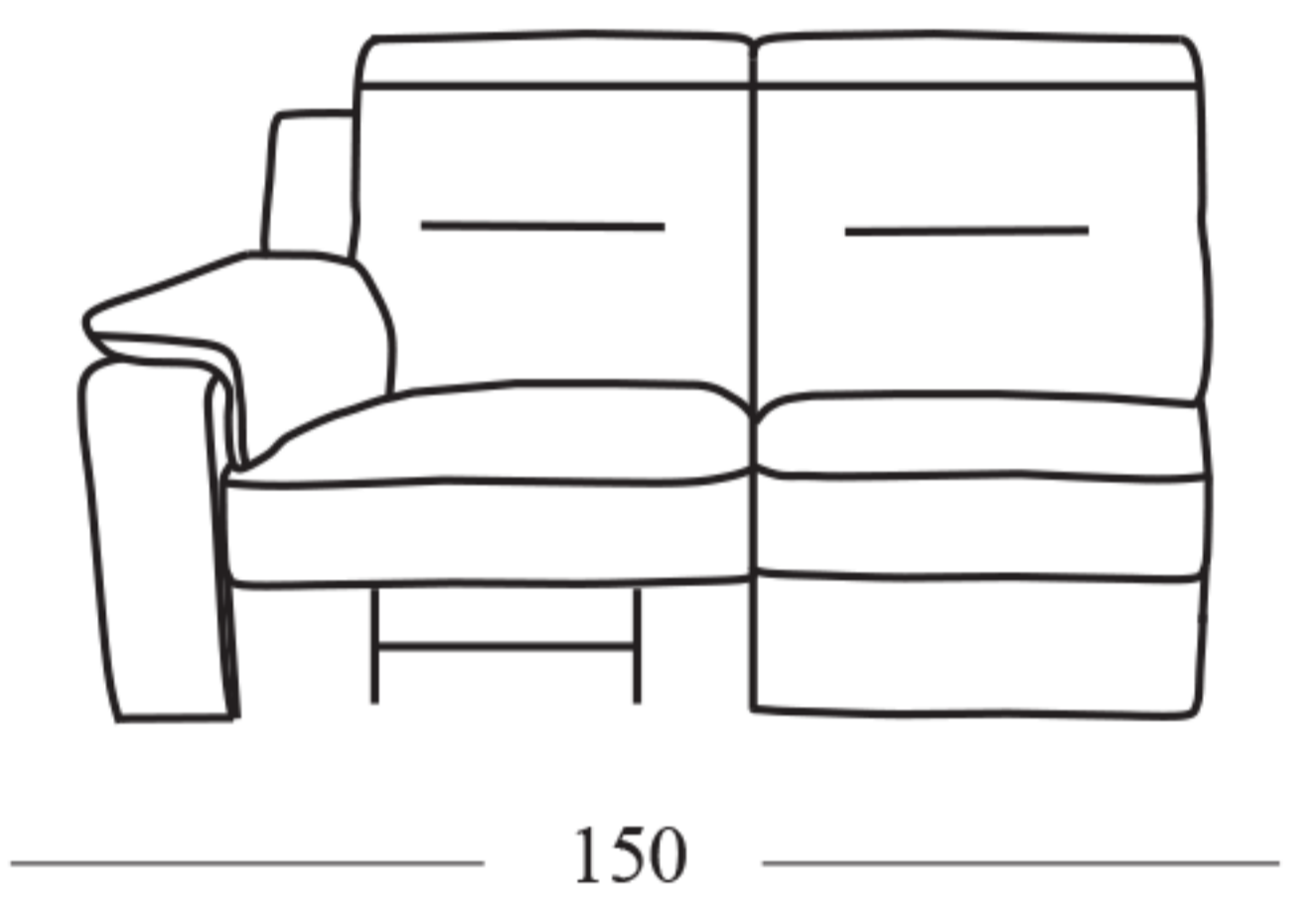
Code 32sx/33dx Large sofa 1 arm
1 recl lhf/rhf



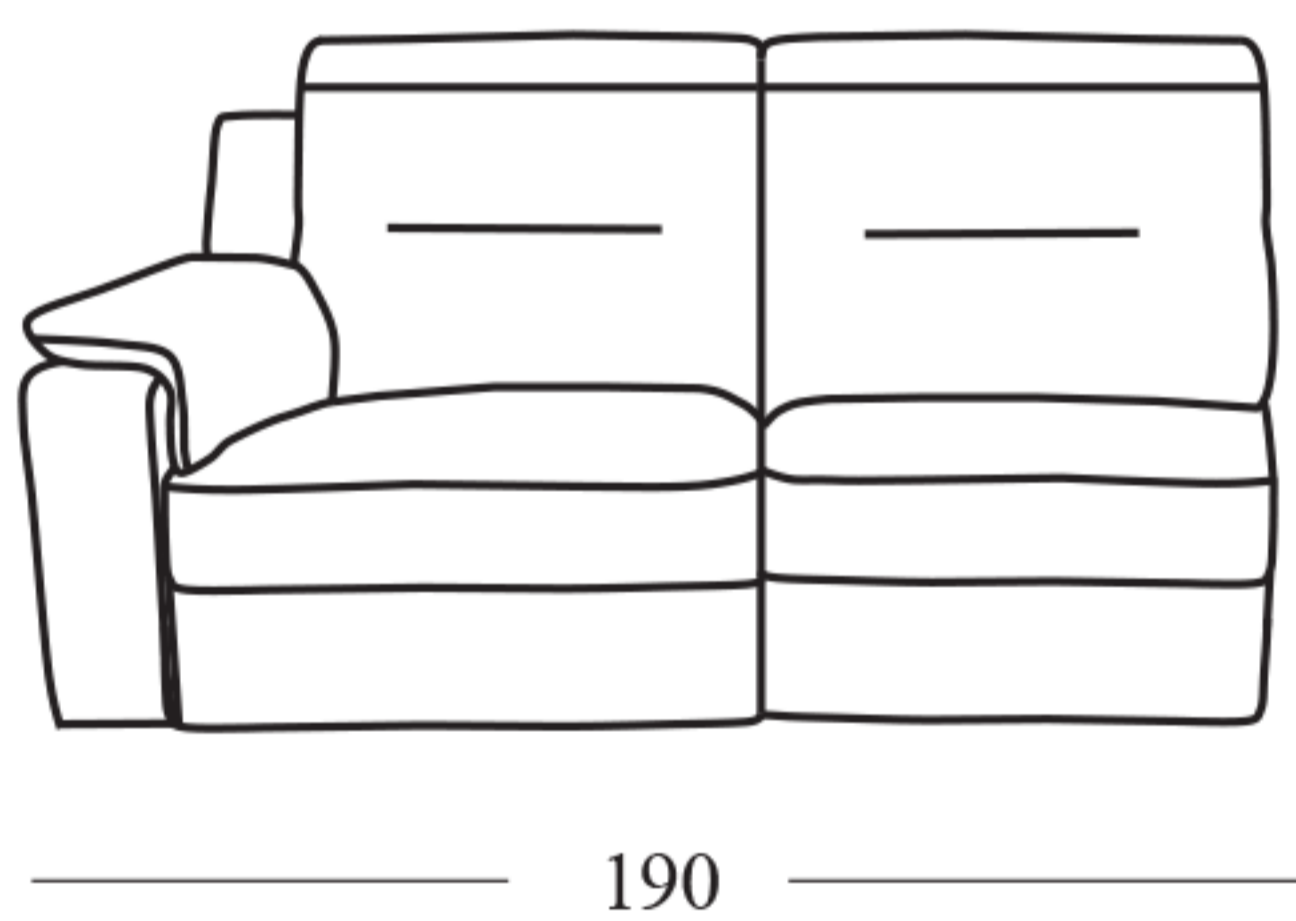
Code 154sx/155dx Sofa 1 arm 1
recl lhf/rhf



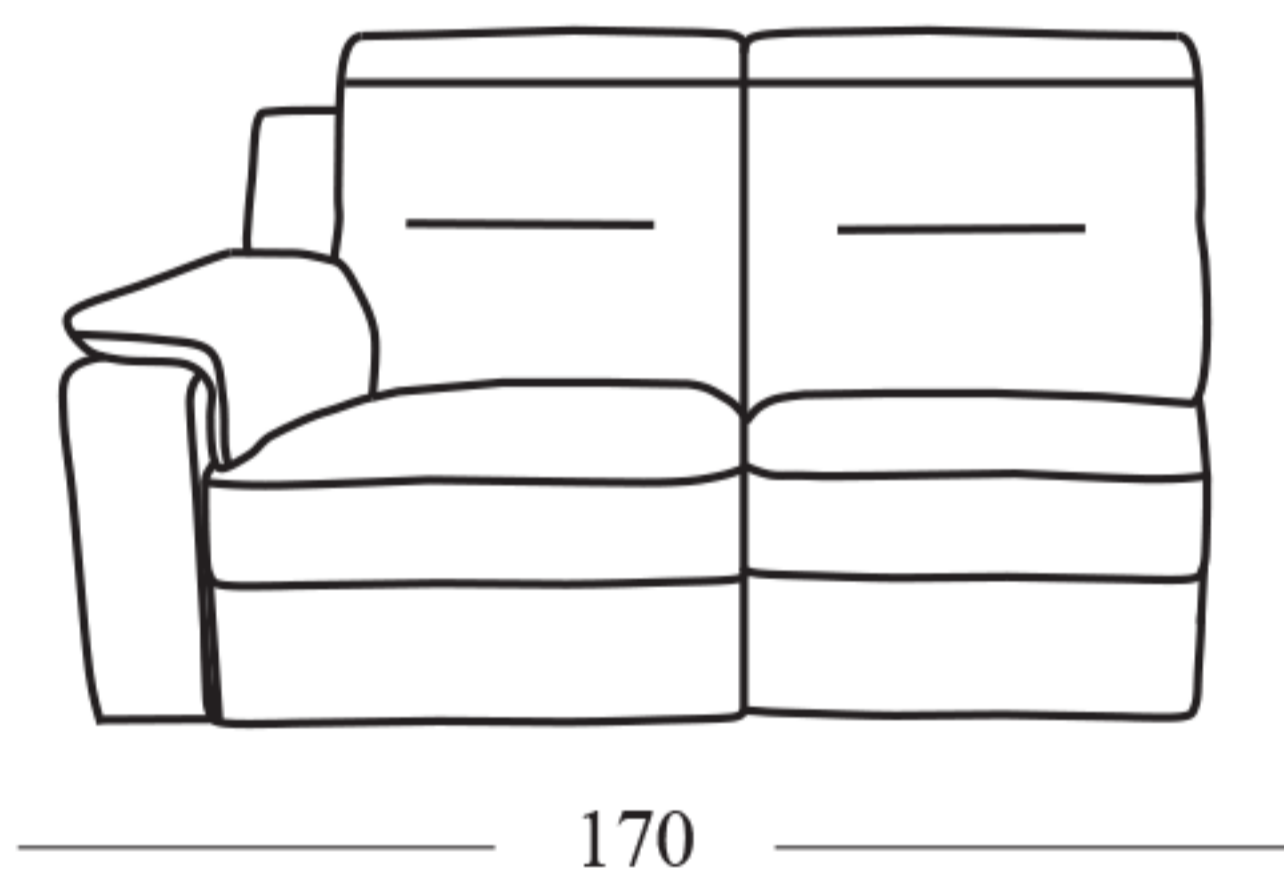
Code 30sx/31dx Loveseat 1 arm 1
recl lhf/rhf



Code 18sx/19dx Large sofa 1 arm
lhf/rhf



Code 66sx/67dx Sofa 1 arm lhf/rhf



Code 16sx/17dx Loveseat 1 arm
lhf/rhf

