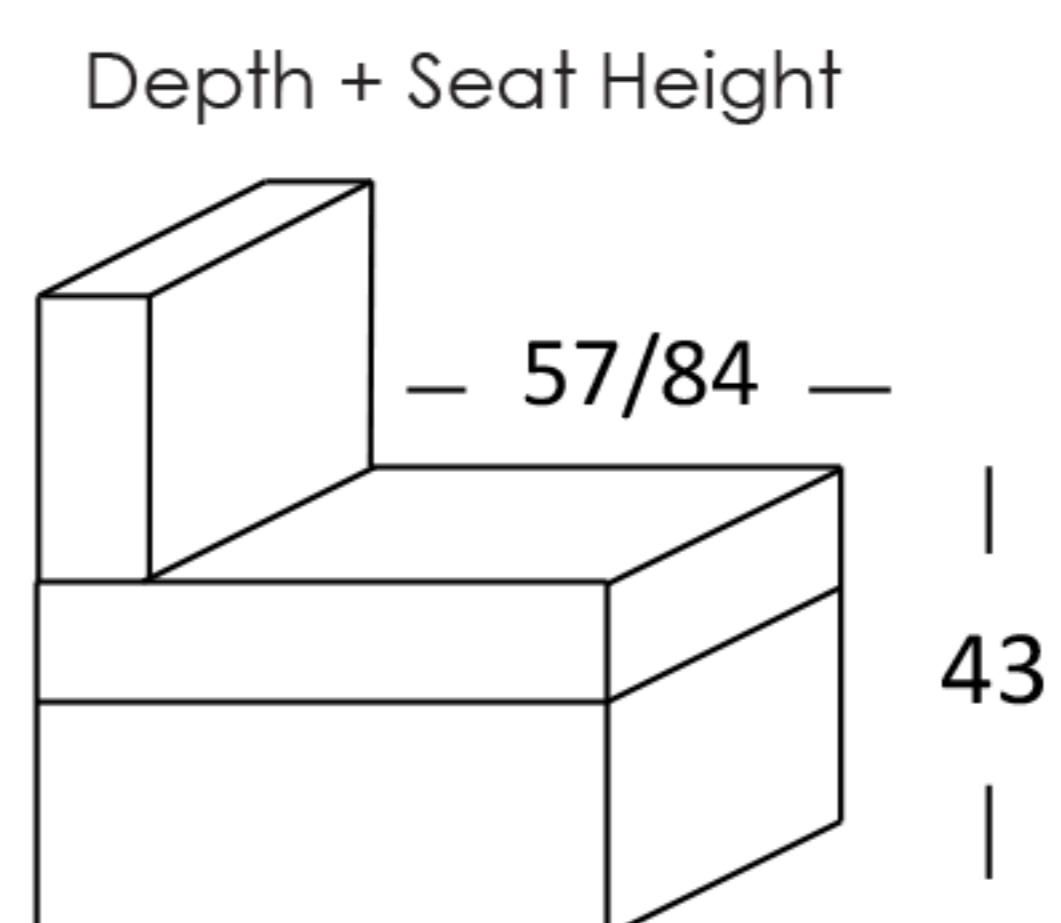
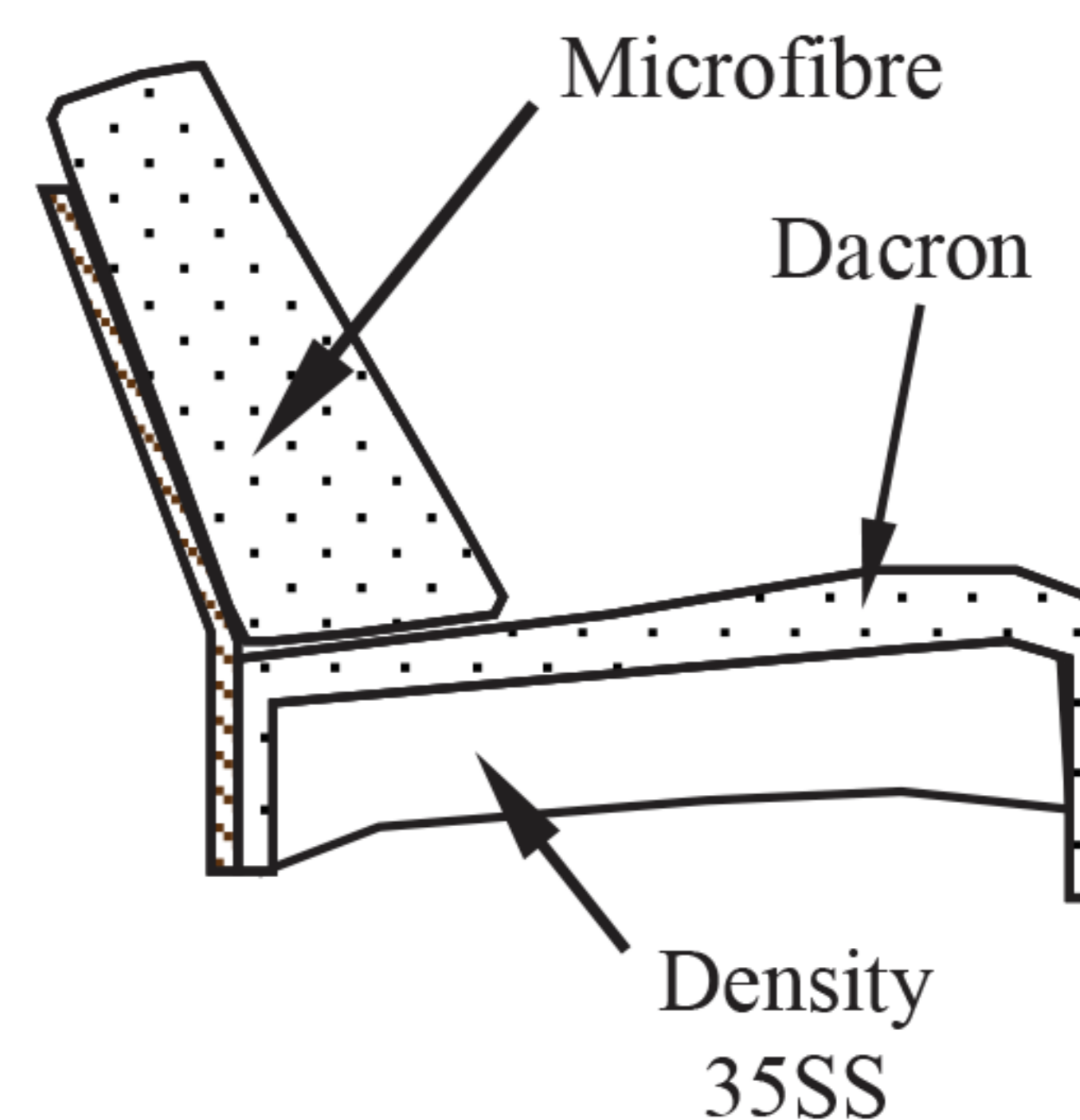




MODEL 5222 ATLAS



CARCASS: spruce, chipboard and multilayer panels

SPRINGING: polypropylene and natural elastic belts on back and rings on seats

PADDING: stress-resistant poldensities

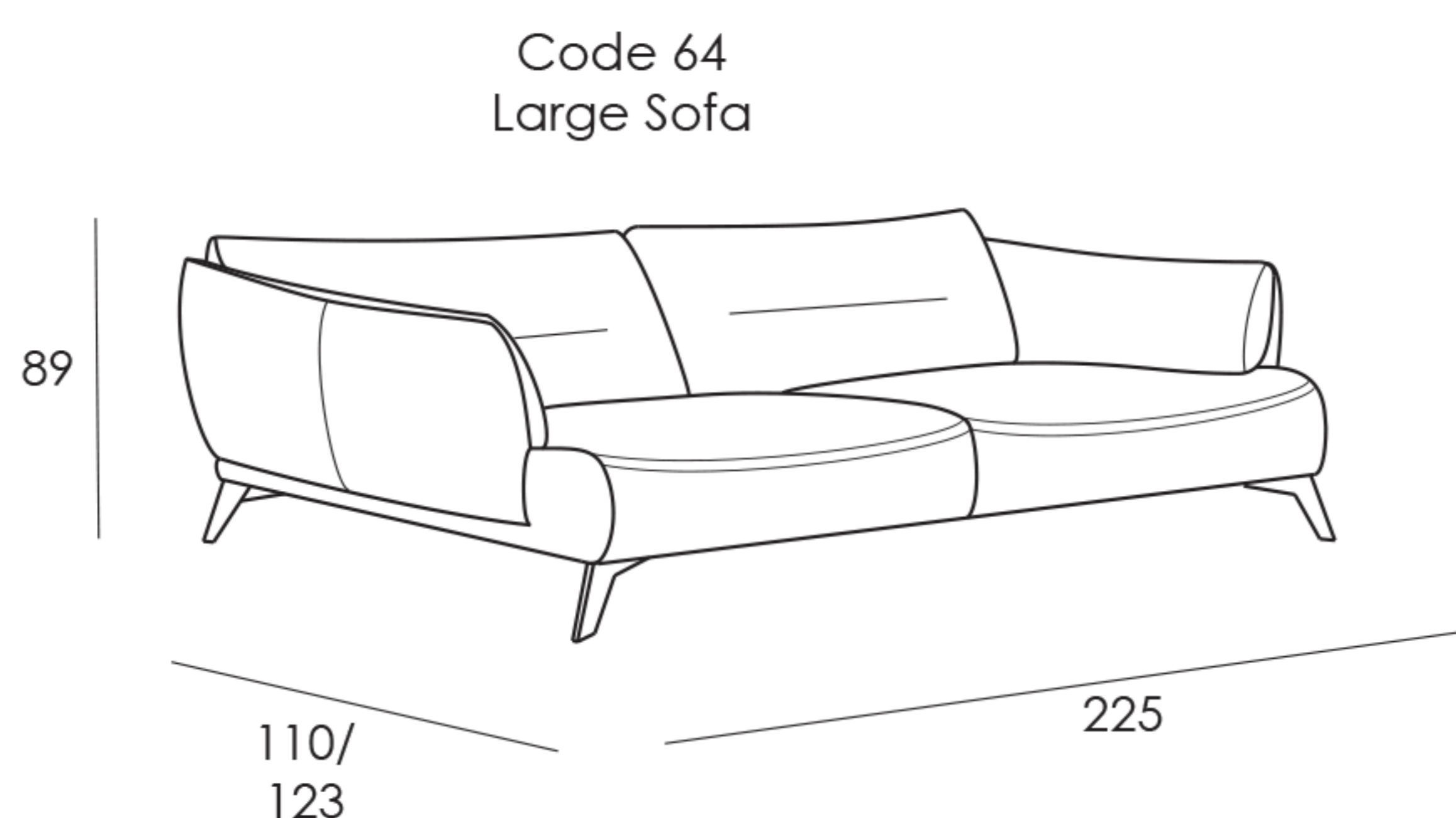
SEAT CUSHIONS: stress-resistant polyurethane density 35SS covered with Dacron hollow soft polyester fibre

BACK CUSHIONS: Microfibre

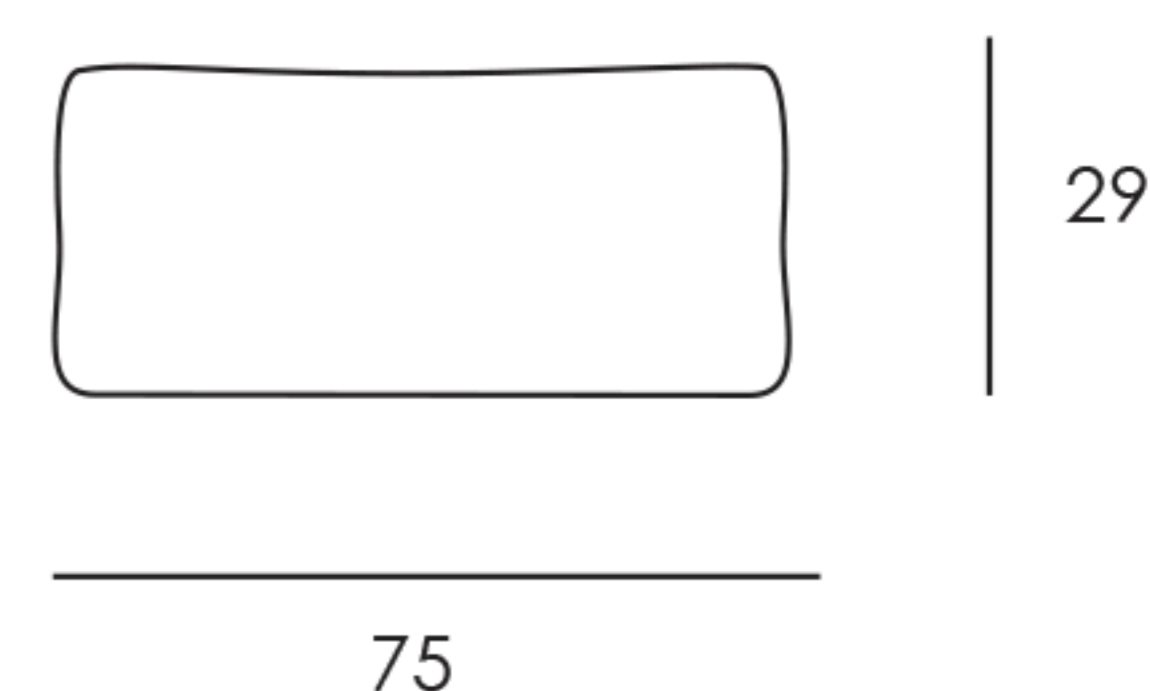
ARMS: stress-resistant polyurethane density 35SS covered with Dacron hollow soft polyester fibre

METAL FEET: h 14cm

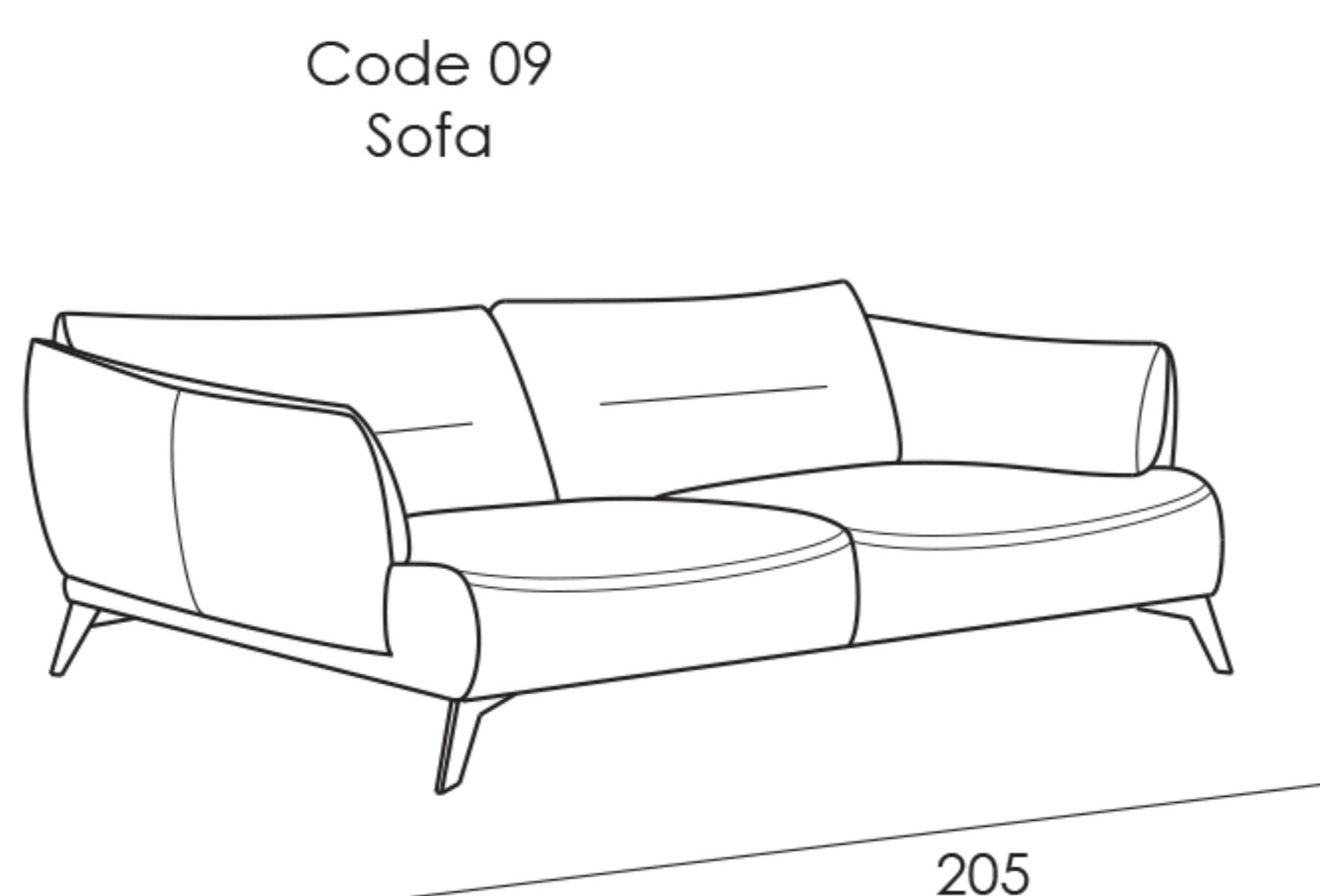
Seat width (98 cm)



Code 97
Tetiére



Seat width (88 cm)



Seat width (78cm)

