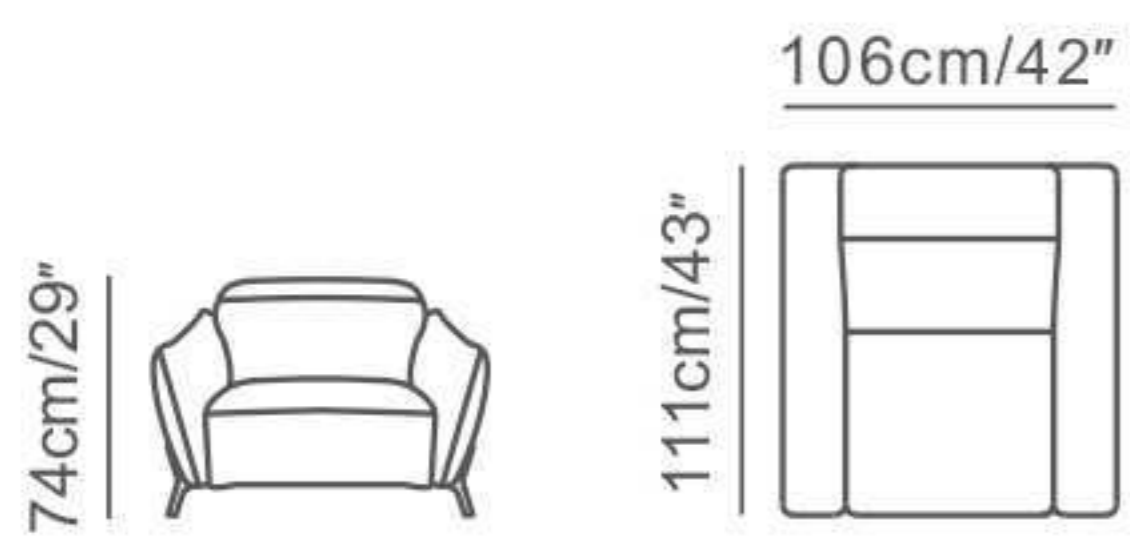
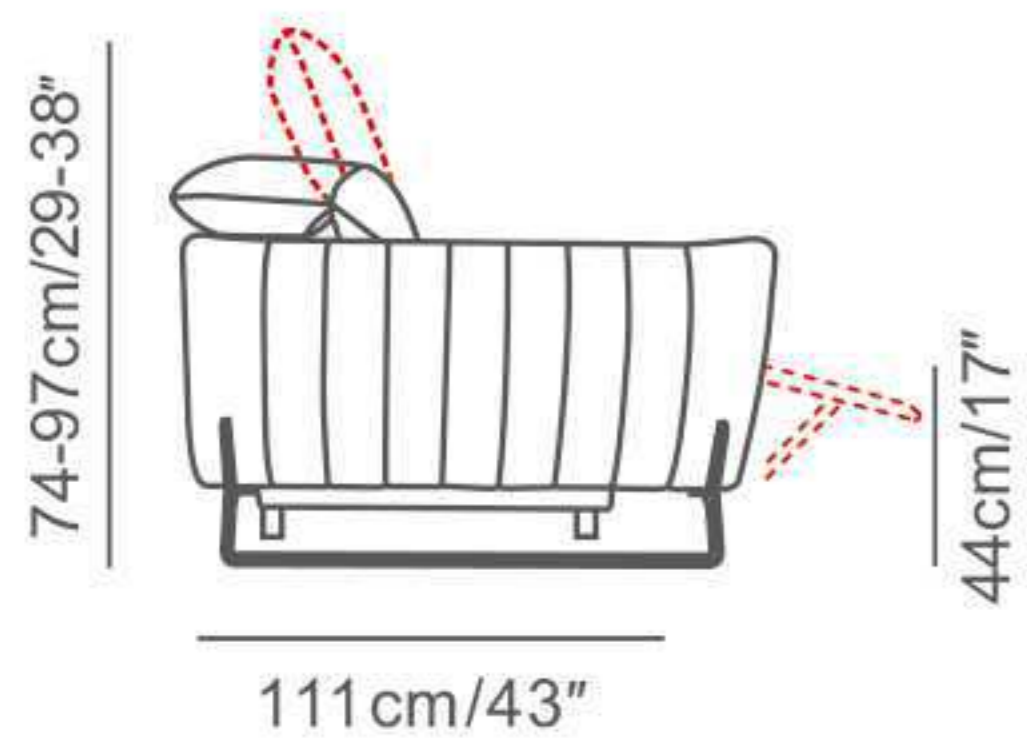
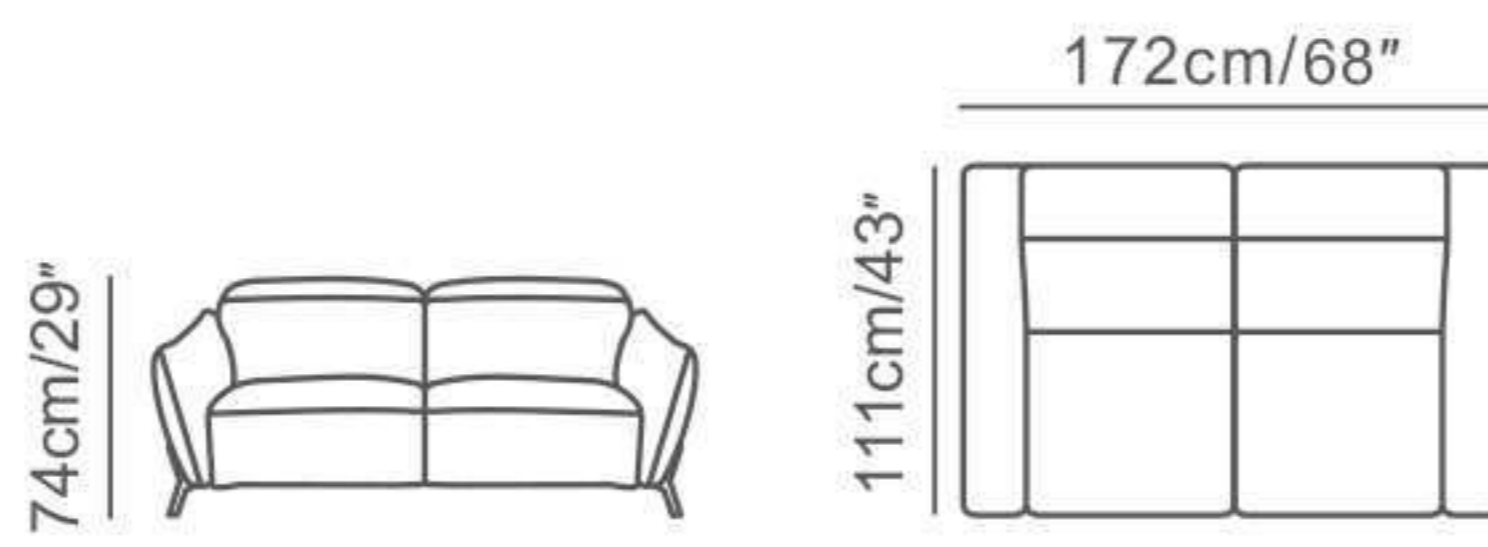


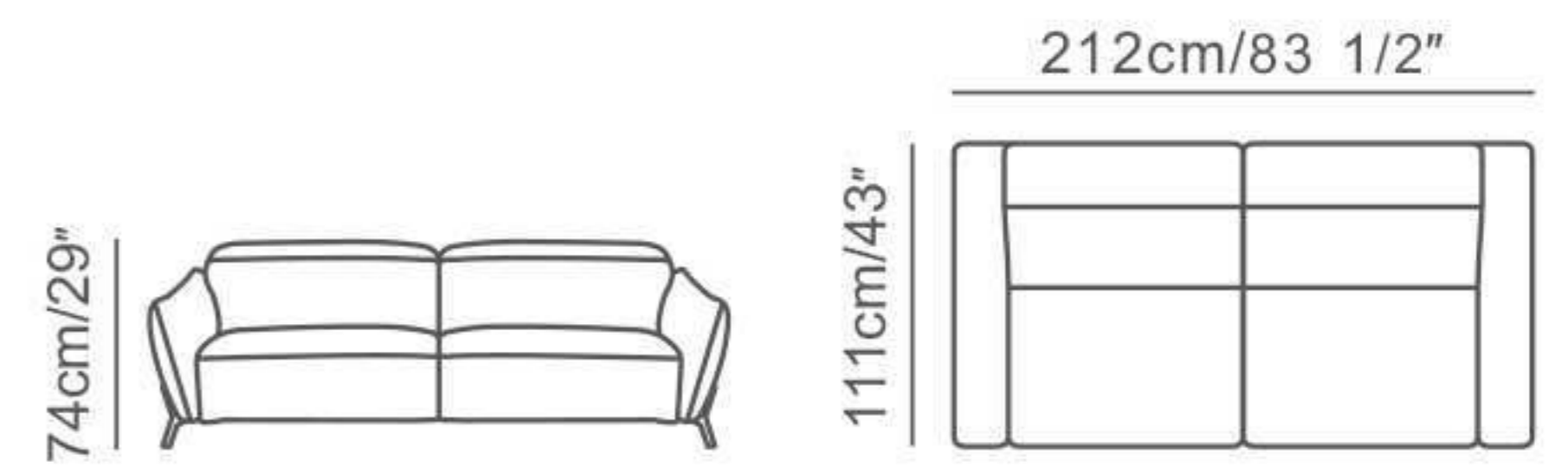
Schematics



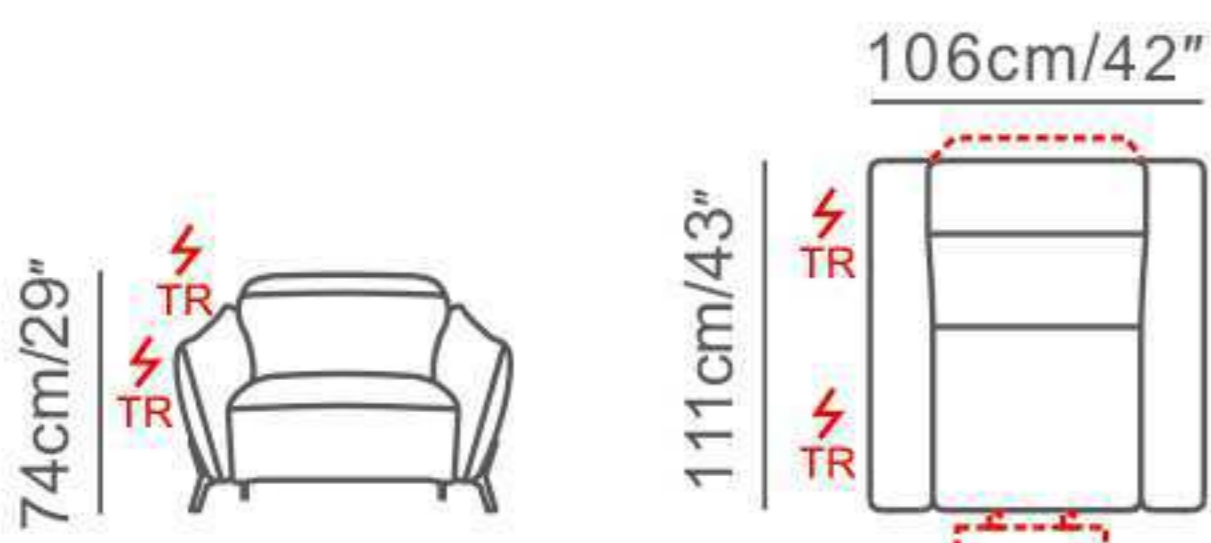
1P  
100



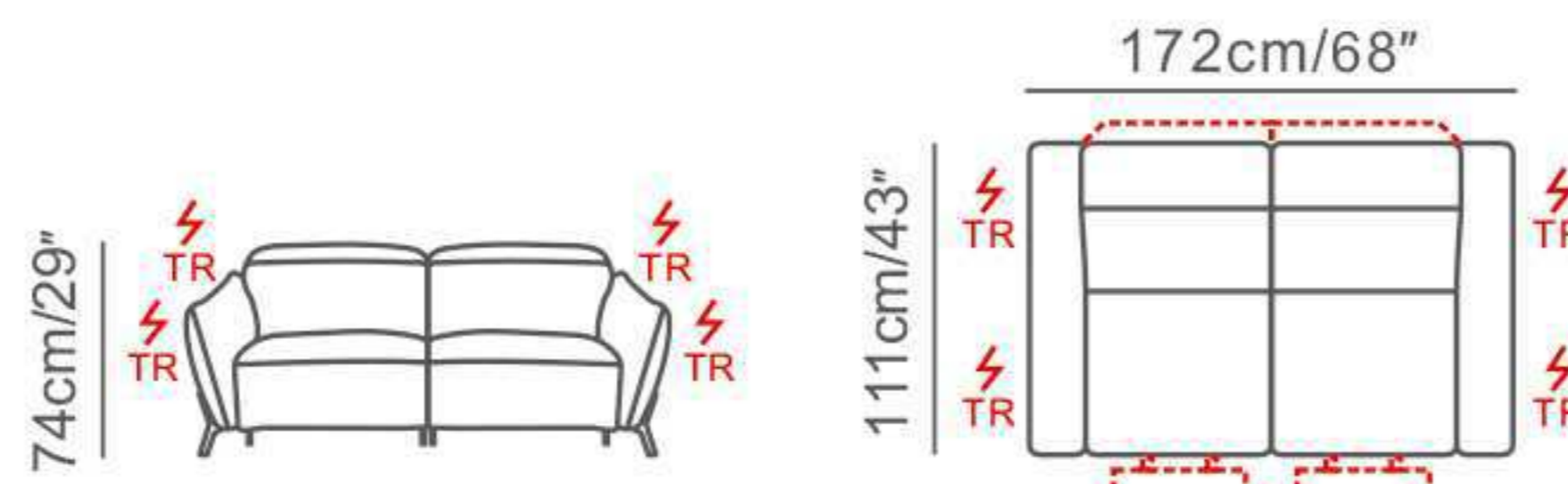
2P  
200



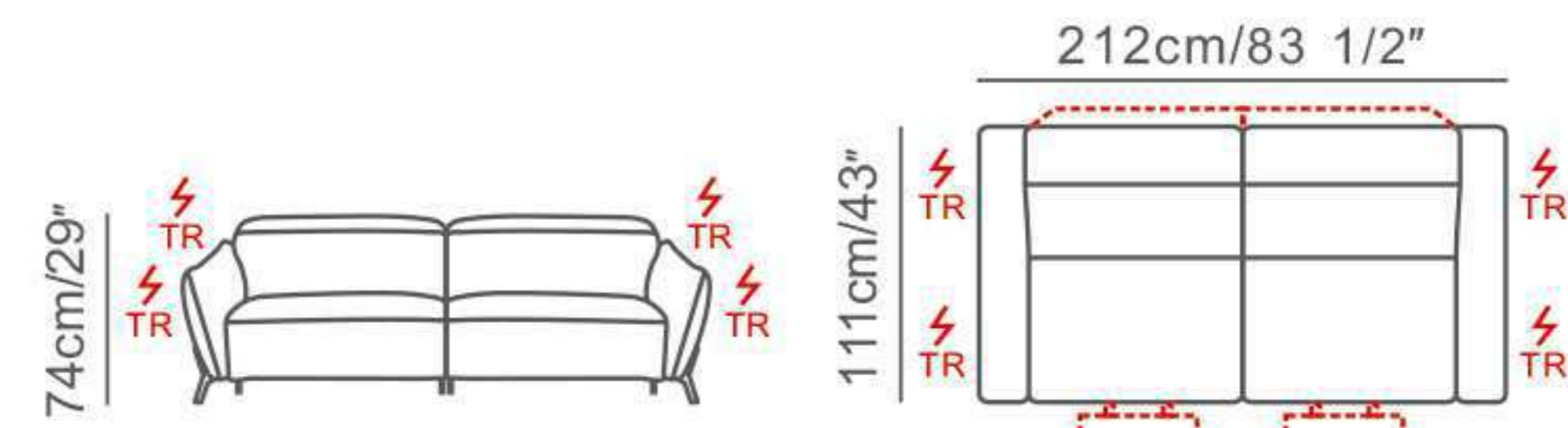
3P  
300



1PRL  
180



2PRL  
280



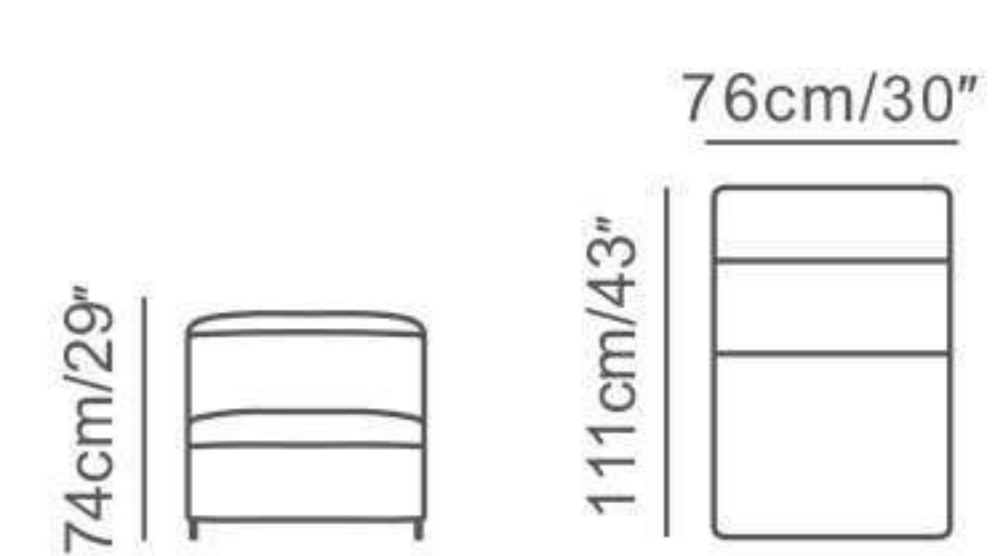
3PRL  
380



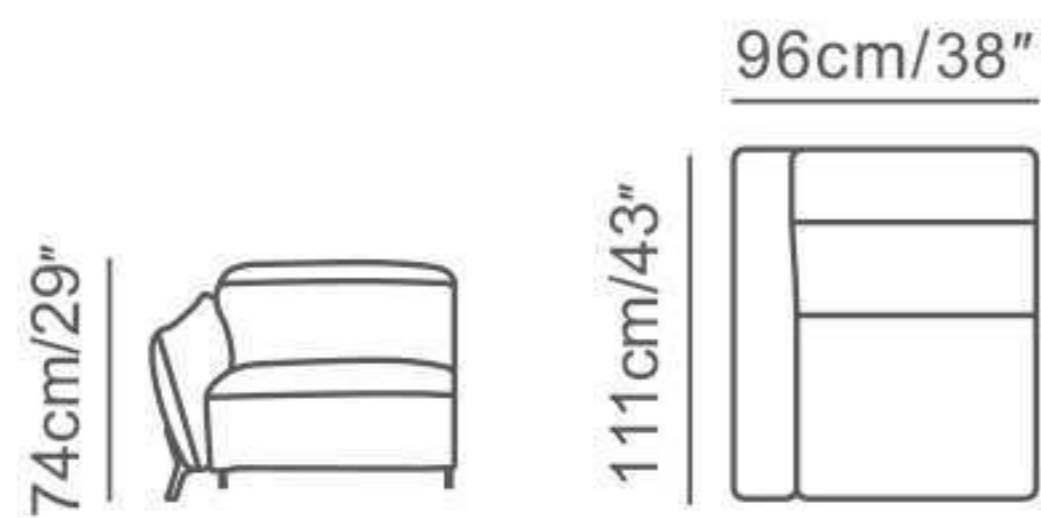
1PL RL  
181



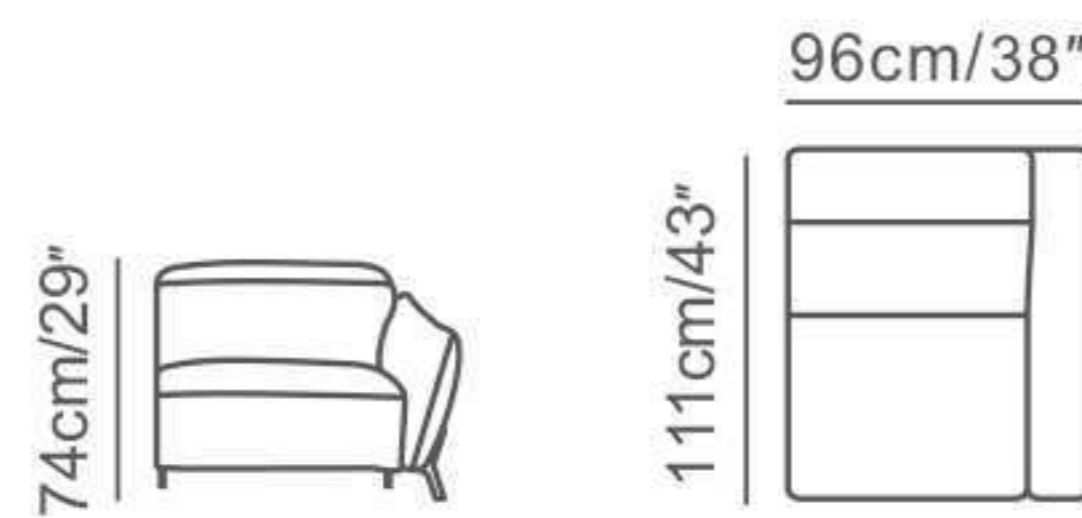
1PR RL  
182



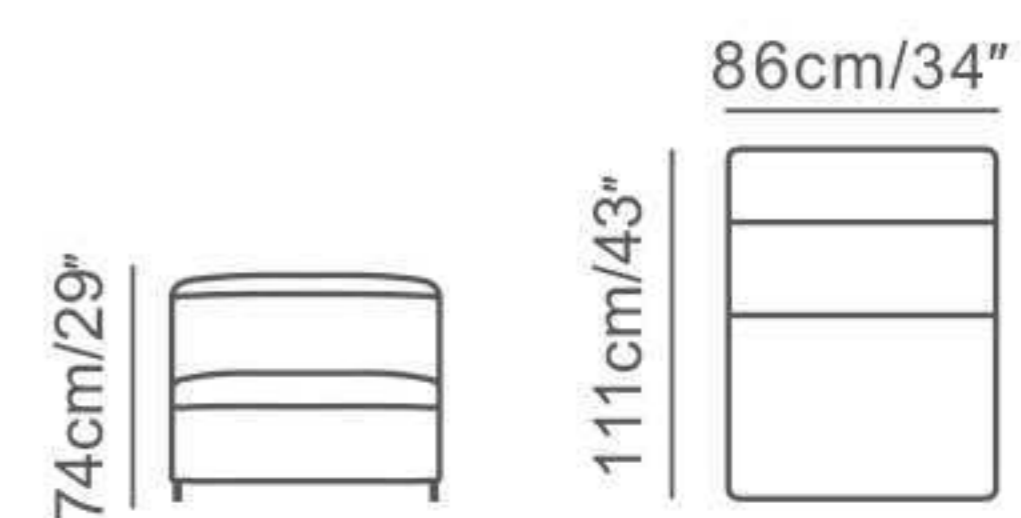
1.25CB  
506



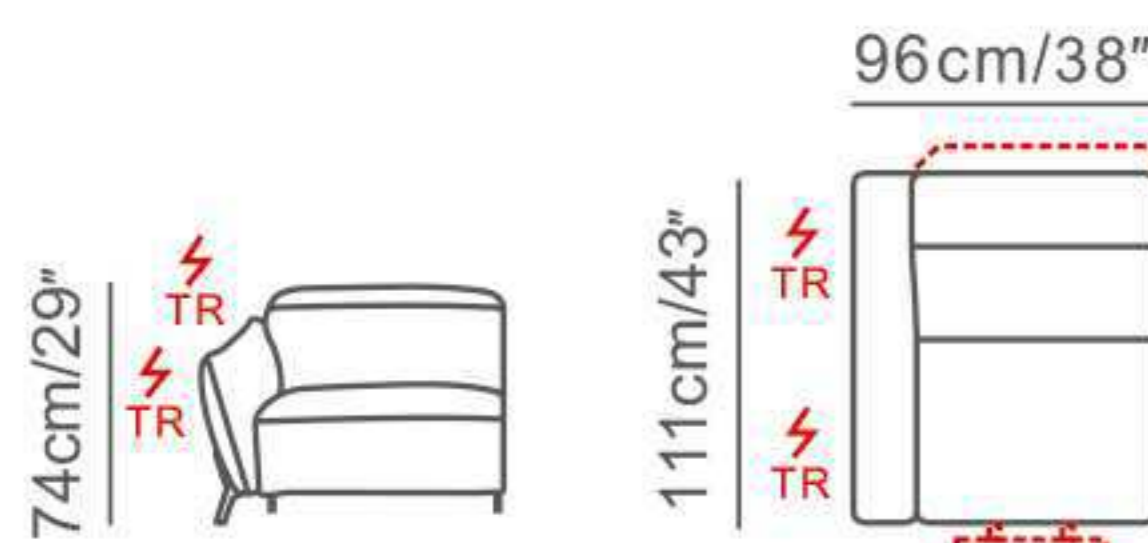
1.25PL  
115



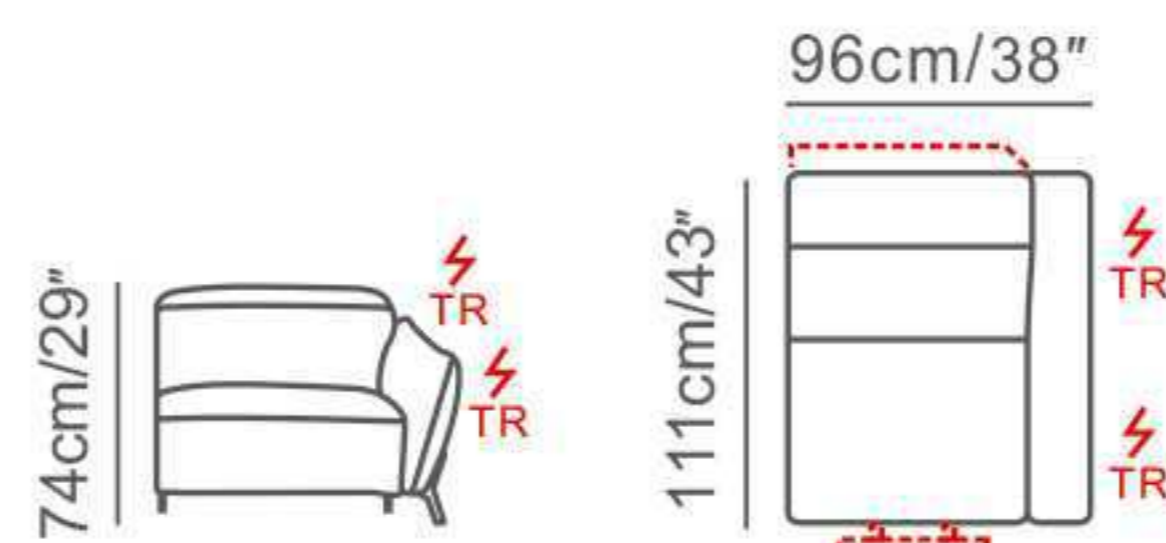
1.25PR  
116



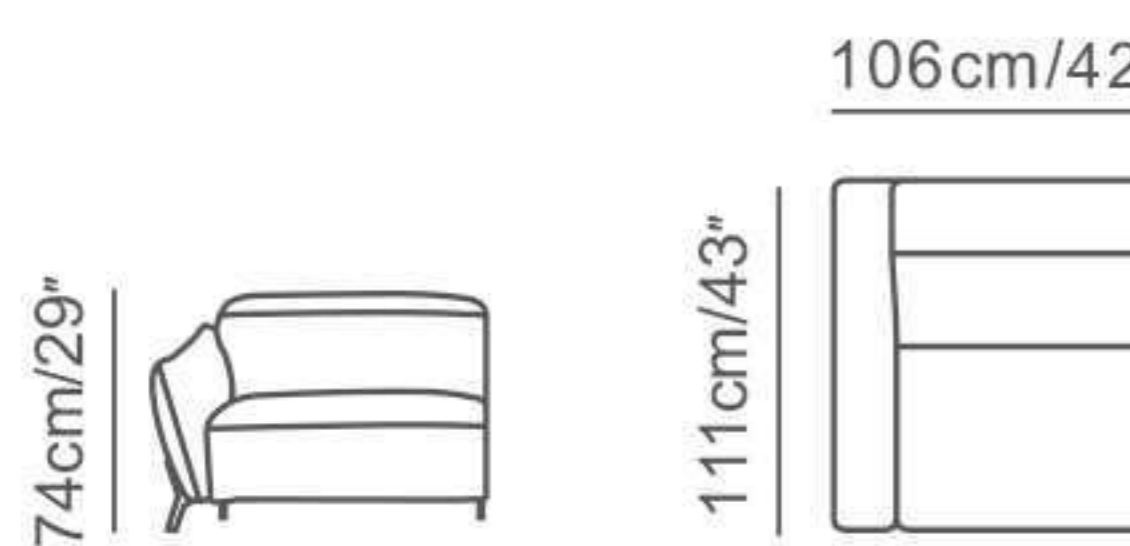
1.5CB  
502



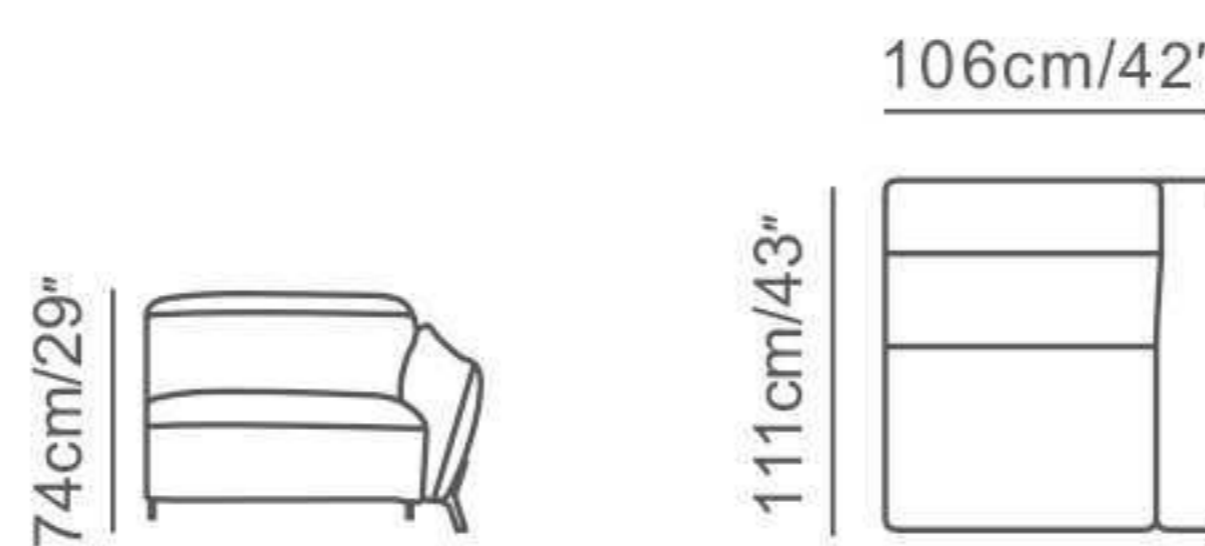
1.25PL RL  
185



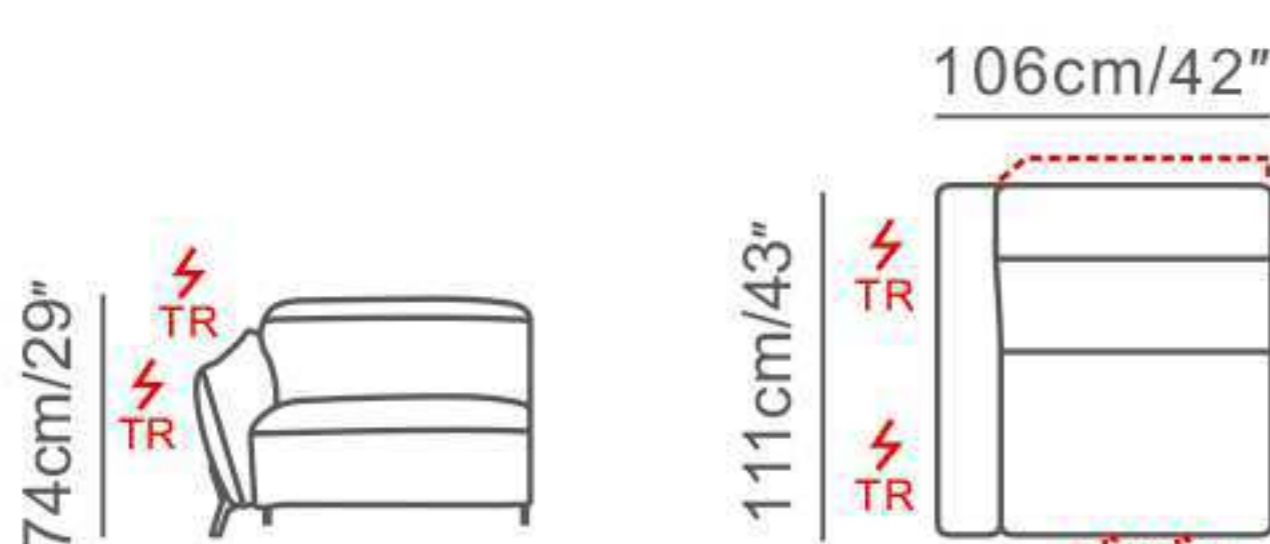
1.25PR RL  
186



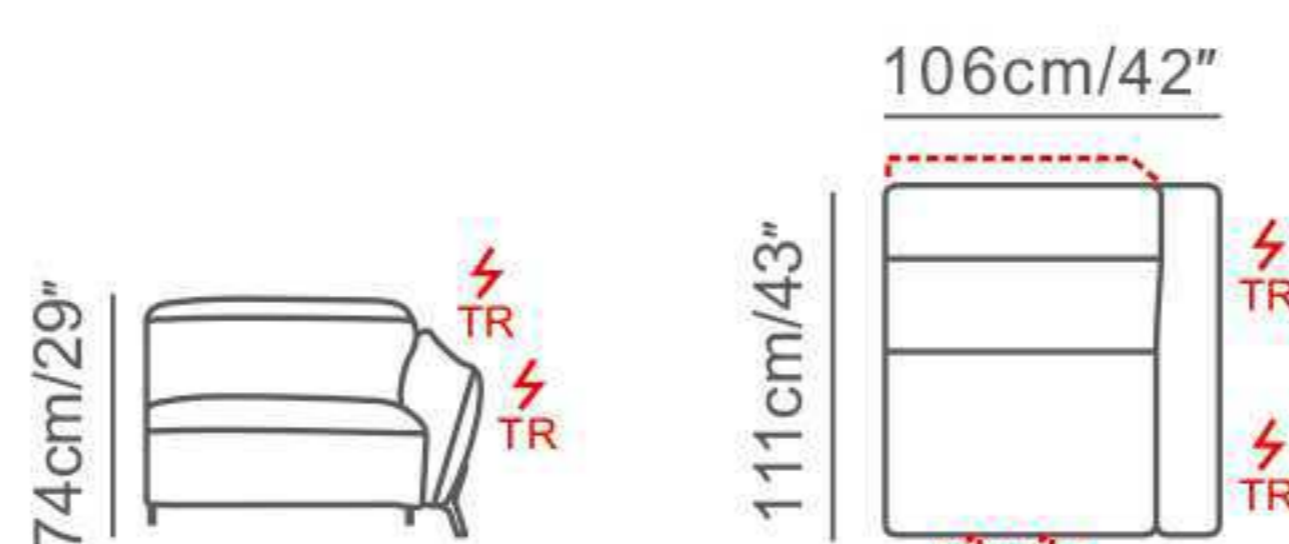
1.5PL  
121



1.5PR  
122



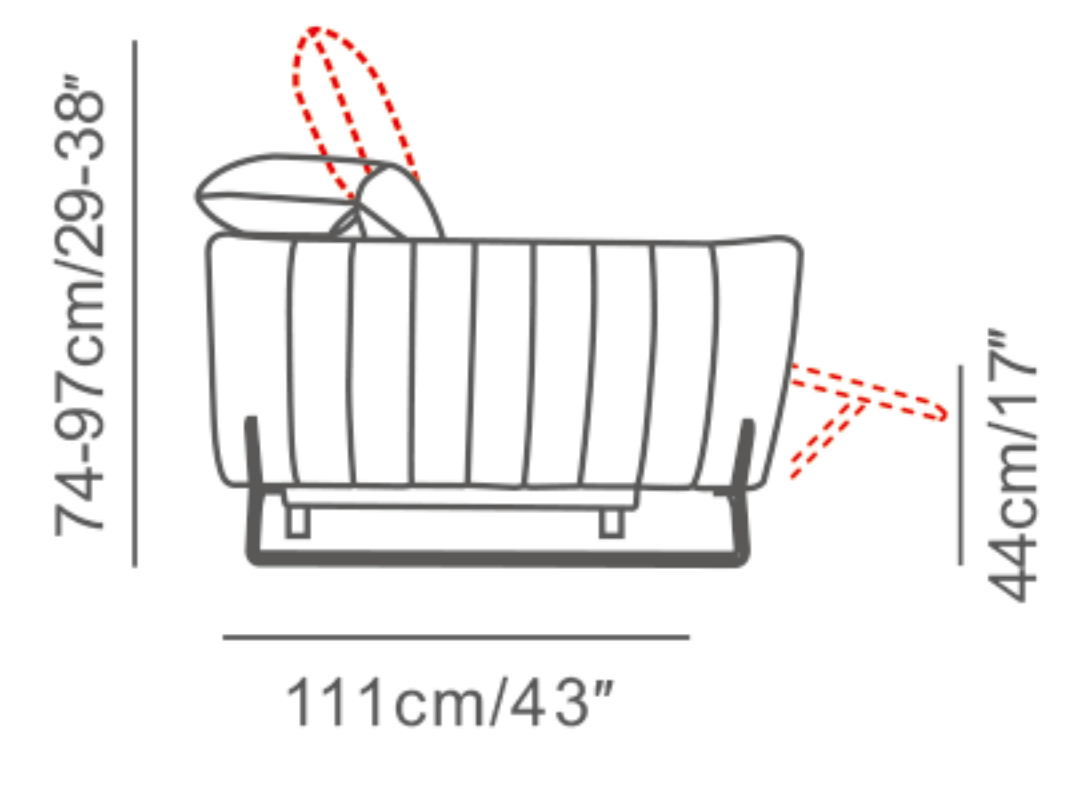
1.5PL RL  
183



1.5PR RL  
184



# Schematics



# Composition Examples

