

MODEL 5212 ROMA

CARCASS: spruce, chipboard and multilayer panels

SPRINGING: polypropylene and natural elastic belts on back and rings on seats

PADDING: stress-resistant polydensities

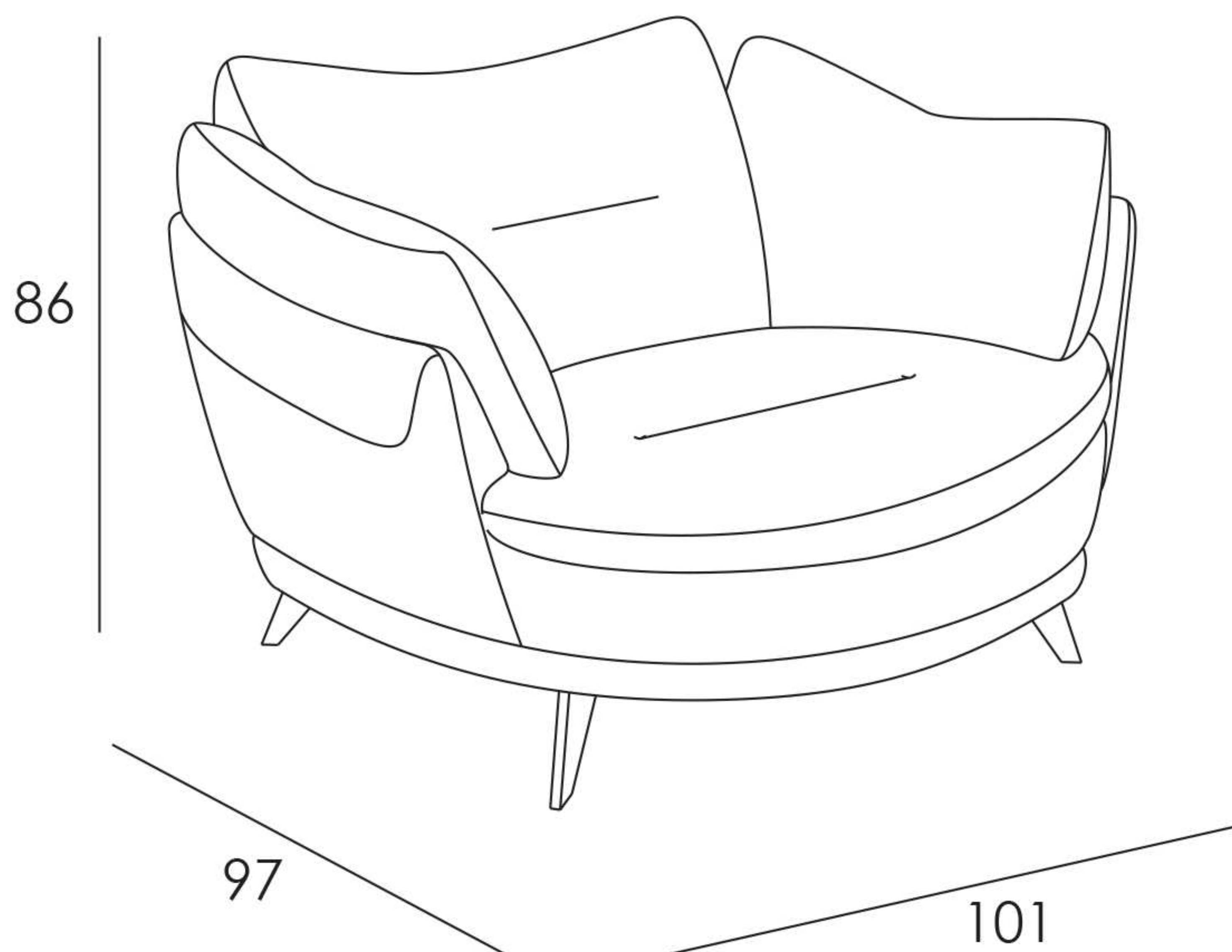
SEAT CUSHIONS: stress-resistant polyurethane density 35SS covered with Dacron hollow soft polyester fibre

BACK CUSHIONS: Microfibre

ARMS: Microfibre

METAL FEET: h 13cm

Code 03
Armchair



Profondità e altezza
di seduta

